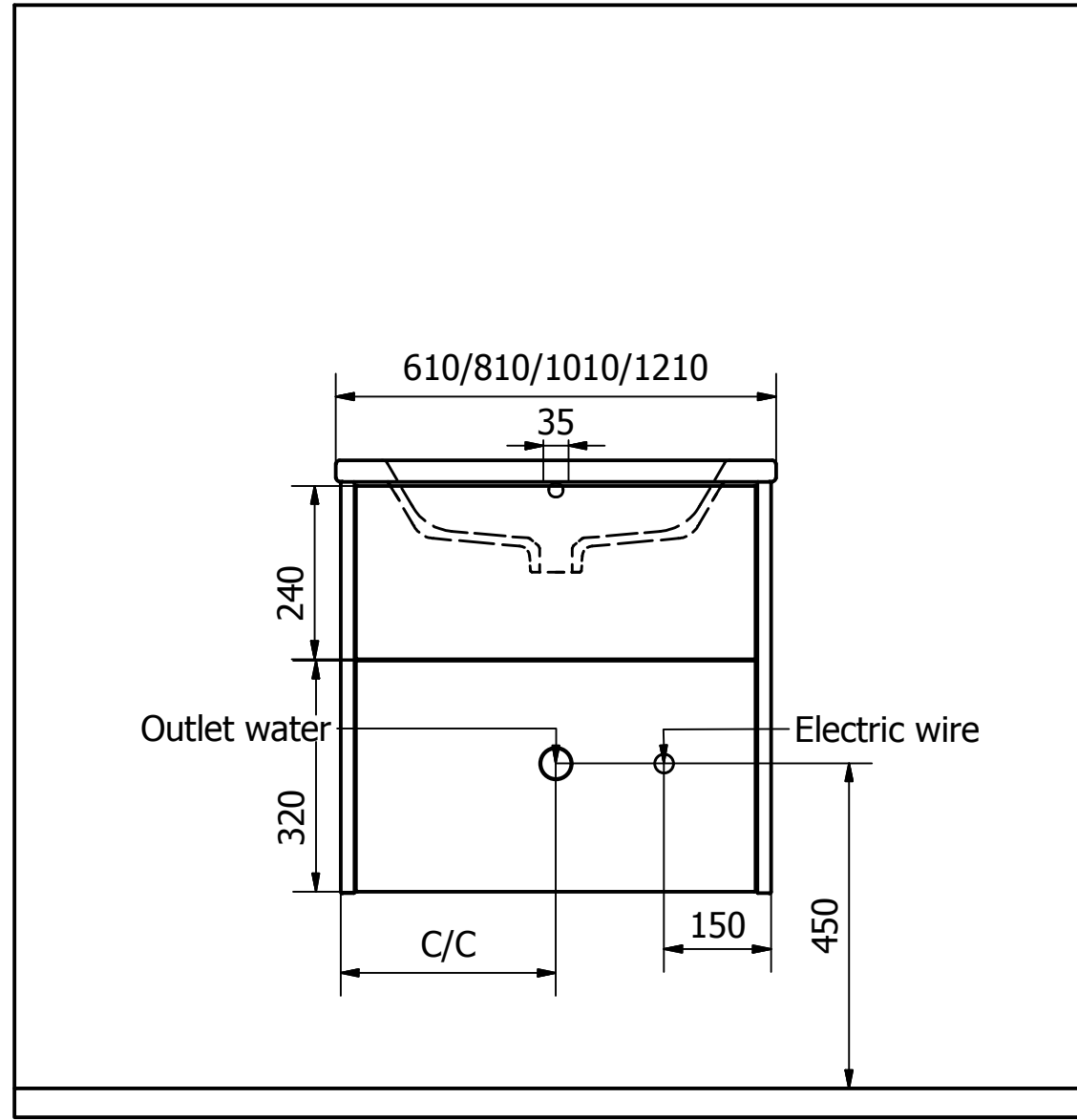
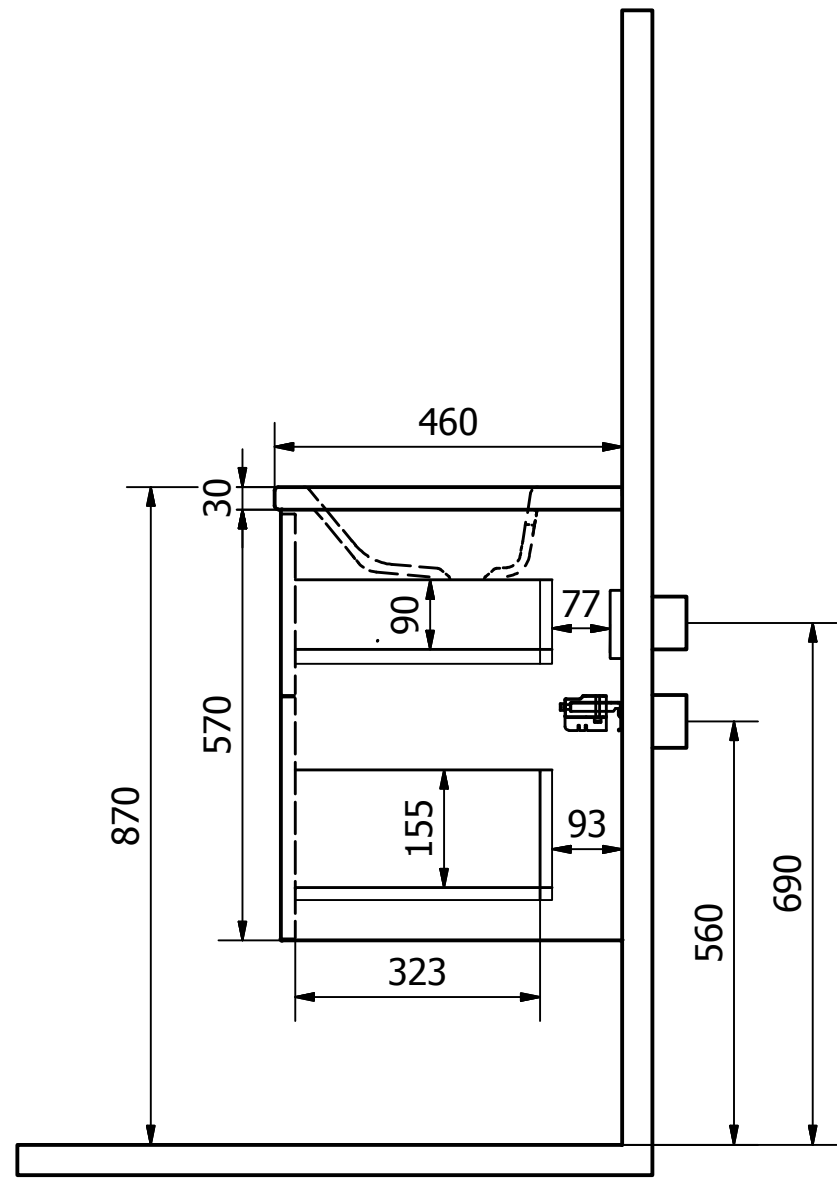


# GRAND Porcelain



Material According to agreed specifications				A-surface -----		B-surface .....	
Designed by KON	Checked by	Approved by	Appr. Date	General tolerance ISO 2768 c	Weight N/A	Projection 0,10 : 1	Scale A3
<b>ICONIC NORDIC ROOMS</b> <b>INR</b>			Title/Name Installationsmått_Grand_Porslin		Rev. 1	Sheet size A3 Sheet 2 / 2	

This document must not be copied without our written permission and the contents thereof must not be imparted to a third party nor be used for any unauthorized purpose. Contravention will be prosecuted.