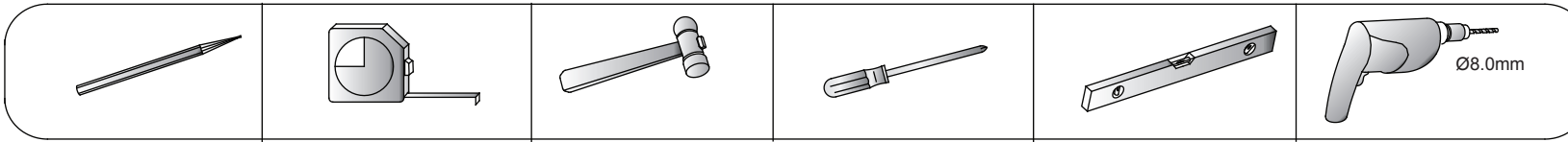
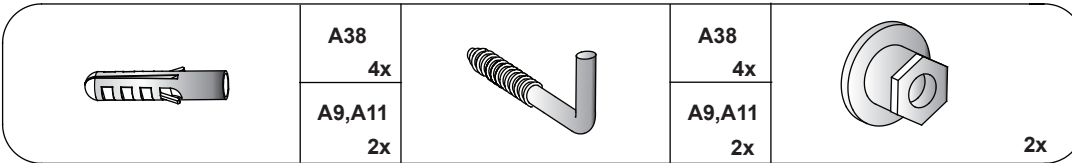


## Tools required:



## Parts supplied:



## Maintenance & Cleaning

The mirror edges are treated with a specially formulated sealant designed to protect the mirror edges from contaminants and discolouring. Failure to follow cleaning guidelines can/will remove the benefits of the sealant.

NEVER use products containing bleach, cleaners of a gritty or abrasive nature or so called "glass and mirror" cleaning products, that can be detrimental to the long lasting finish of the mirror.

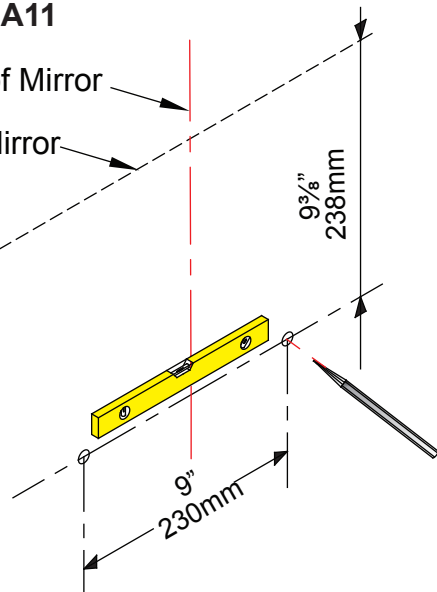
ONLY use a clean dry or damp micro fibre cloth to clean the mirror and mirror frame.

① Determine the final installation position, mark the fixing hole positions in pencil.

**A9,A11**

Center of Mirror

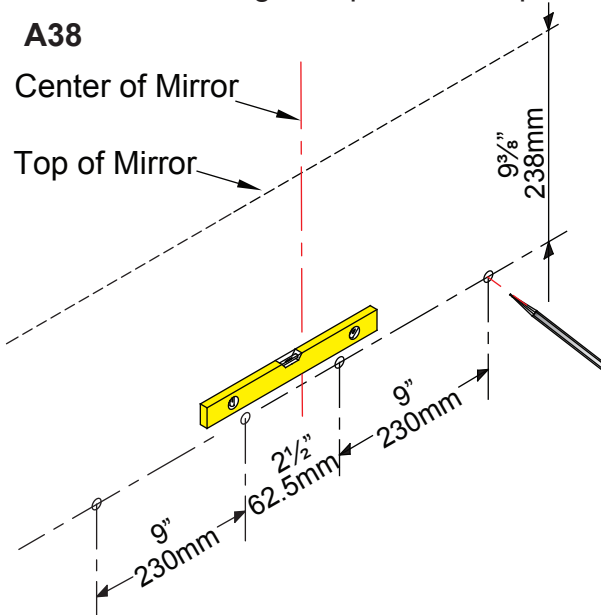
Top of Mirror



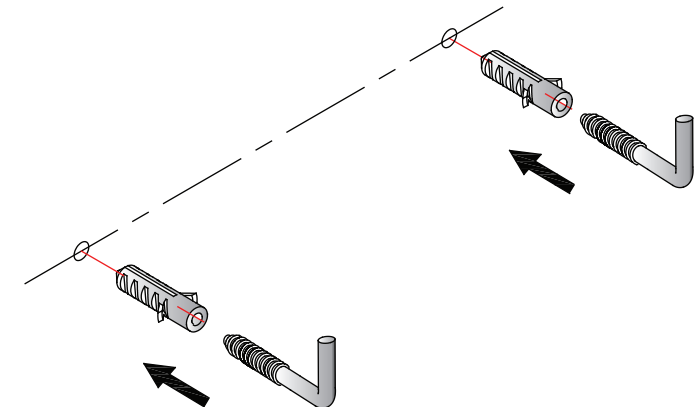
**A38**

Center of Mirror

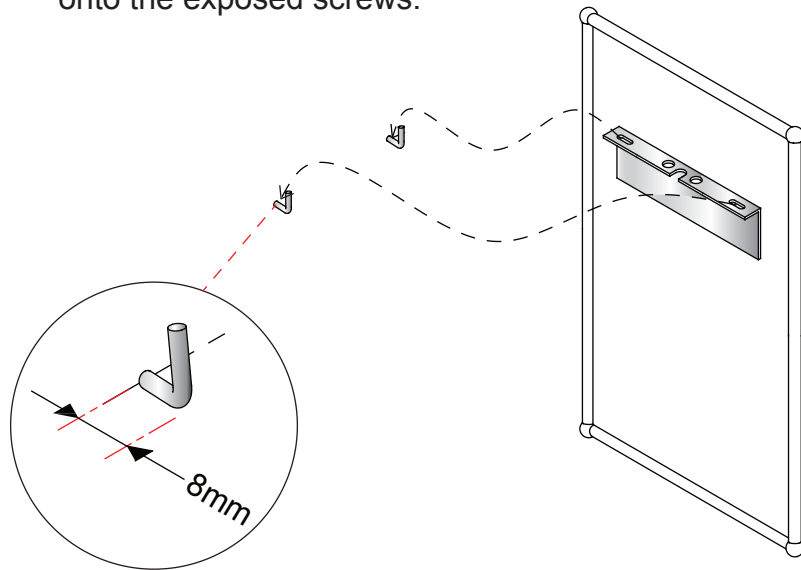
Top of Mirror



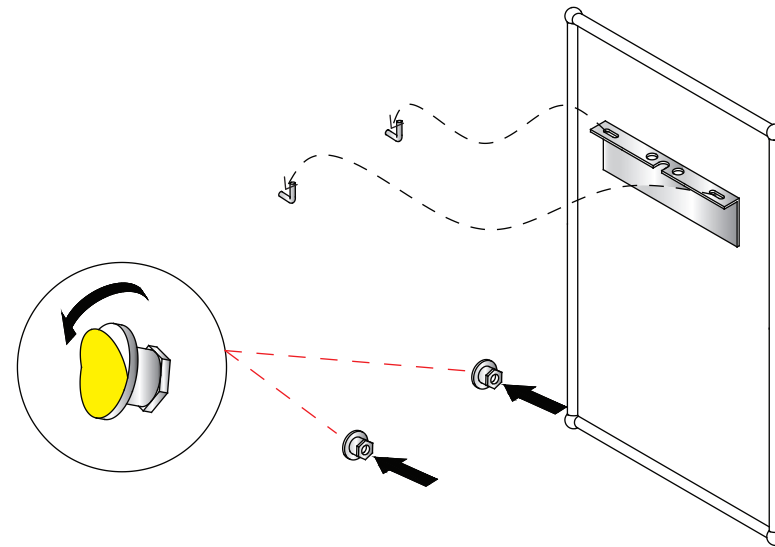
② Using a 8mm drill bit, drill holes on the marked positions. (note: In the event that the wall / floor fixings supplied being inappropriate for the wall / floor, please source alternatives).



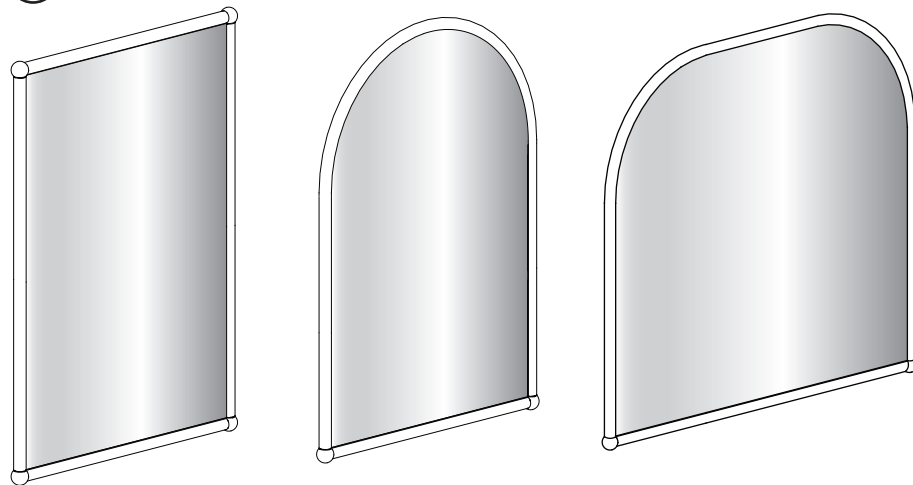
- ③ Keep the stainless screw exposed 8mm outside the wall.  
Mount the mirror onto the wall by hanging the bracket of mirror onto the exposed screws.



- ④ Check if it is stable.  
If not please readjust the exposed length of screws and use the washers supplied if needed .



⑤



A11

A9

A38

For further information contact;

UK:

Bathroom Brands, Lake View House, Rennie Drive, Dartford,  
Kent, DA1 5FU

Tel: 01322 473222

E-mail: [Customerservice@bathroombrands.com](mailto:Customerservice@bathroombrands.com)

Web: [www.bathroombrands.com](http://www.bathroombrands.com)