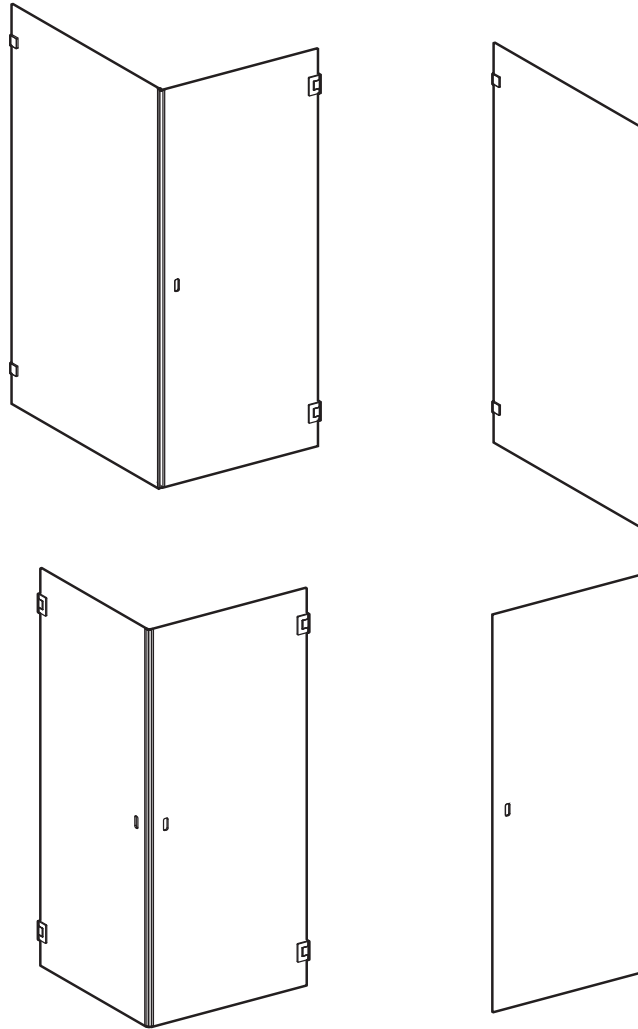
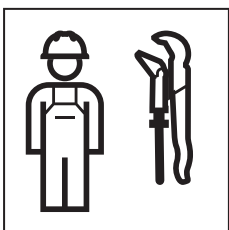


CONTURA *Shower*

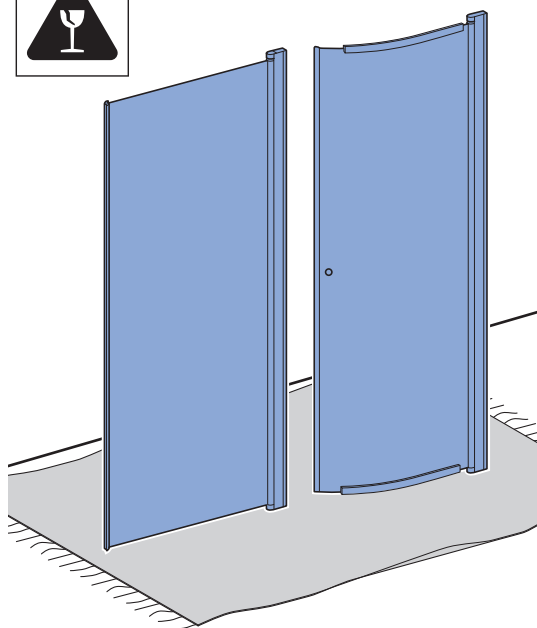
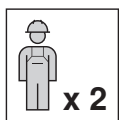
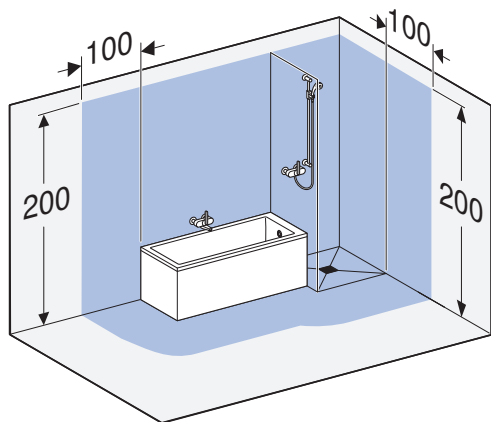


INSTALLATION.MANUAL

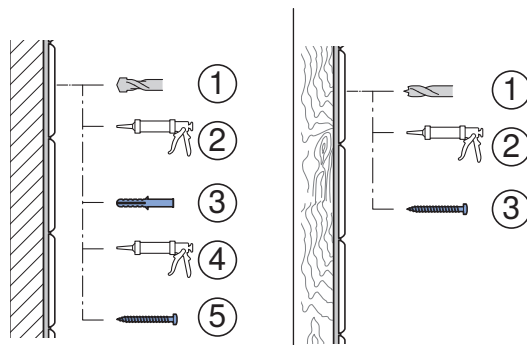
MONTERINGSANVISNING
MONTERINGSANVISNING
MONTERINGSVEJLEDNING
ASENNUSOHJE



970-915-00.0(04)

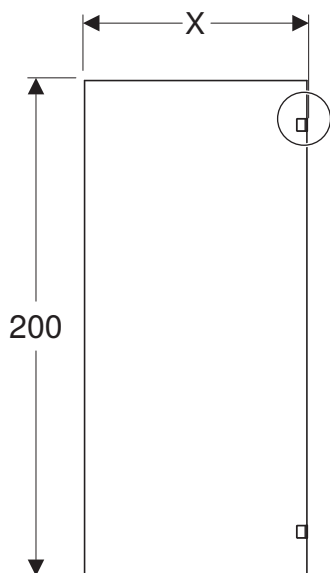


EN 15651-3: Class XS1

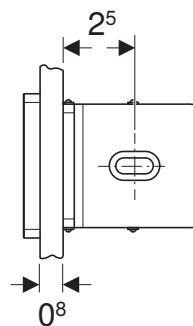
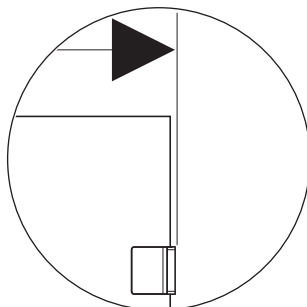




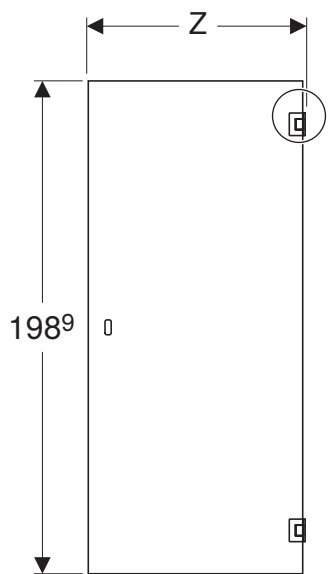
Shower side panel



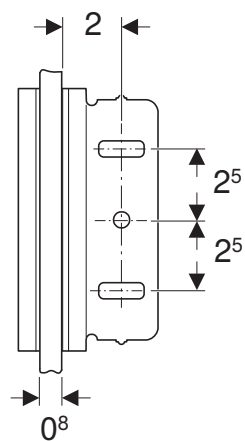
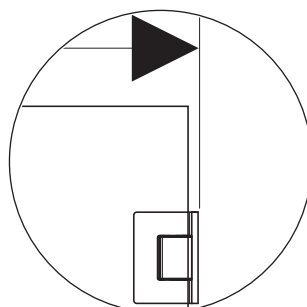
X
70
80
90
100
110
120

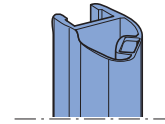
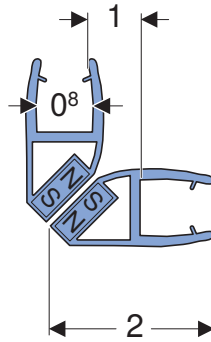
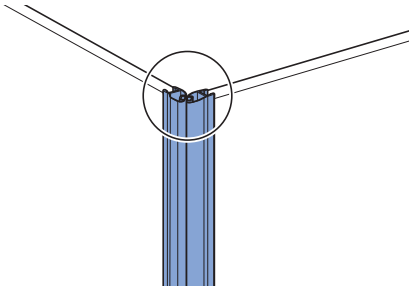


Swing door

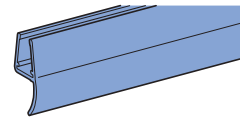
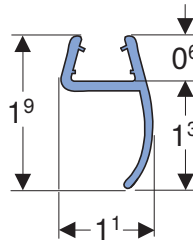
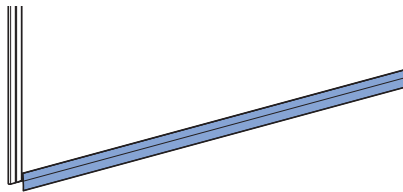


Z
67 ⁵
77 ⁵
87 ⁵
97 ⁵

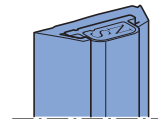
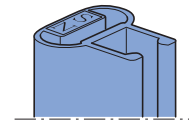
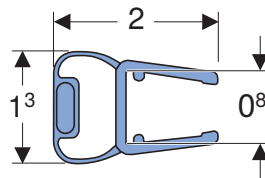
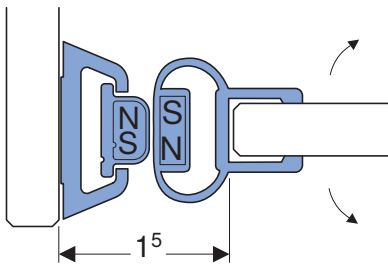




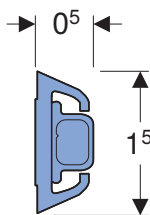
FI	560.822.XX.1
SE/DK	560.822.XX.2
NO	560.822.XX.3

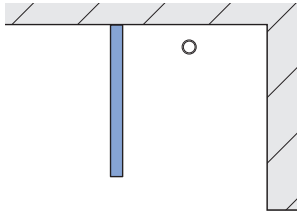


FI	560.821.XX.1
SE/DK	560.821.XX.2
NO	560.821.XX.3

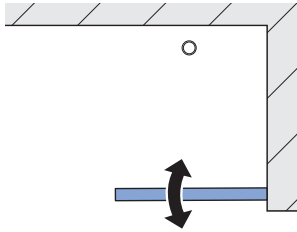


FI	560.823.XX.1
SE/DK	560.823.XX.2
NO	560.823.XX.3

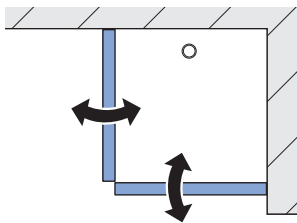




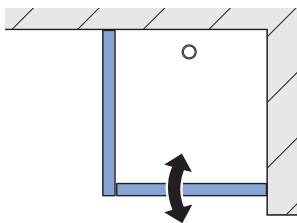
A 5



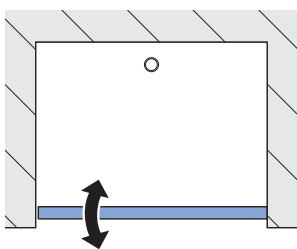
B 8



C 12

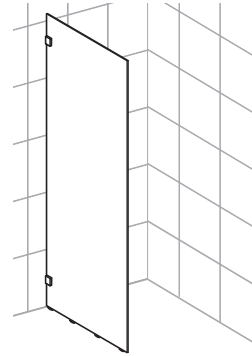


D 19

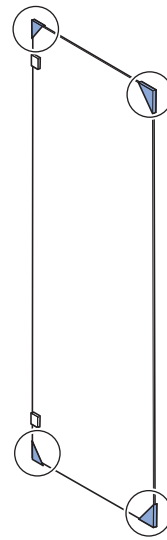
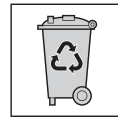


E 28

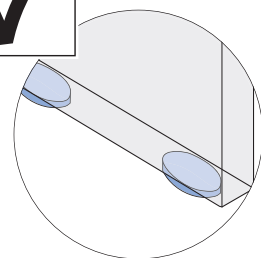
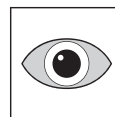
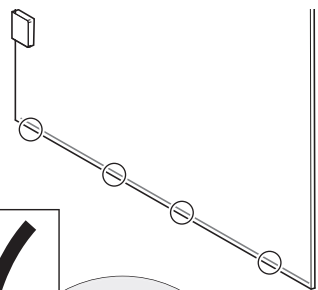
A



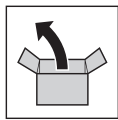
1



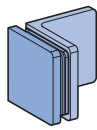
2



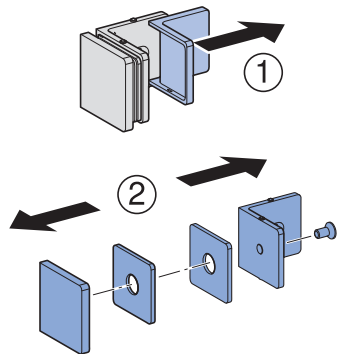
3



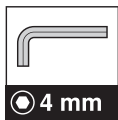
2 x



4 mm



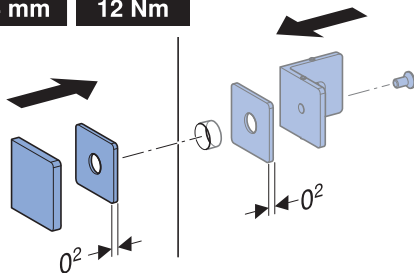
4



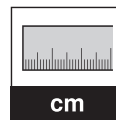
4 mm



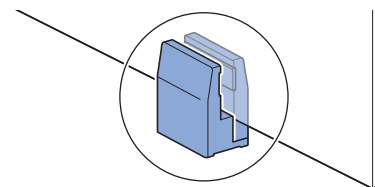
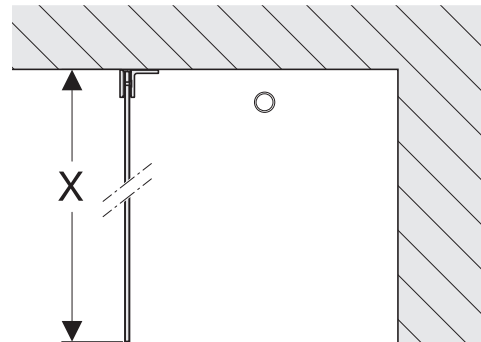
12 Nm



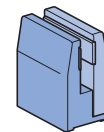
5



cm



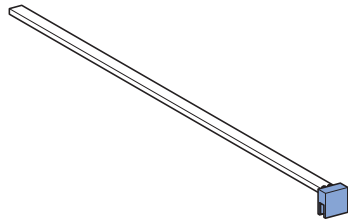
971.496



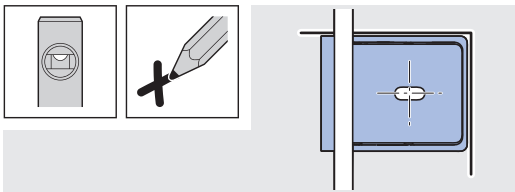
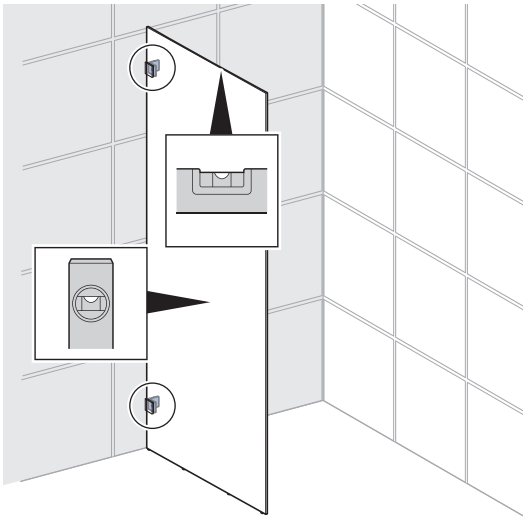
FI	500.880.XX.5
SE/DK	0682480/502.919.14.3
NO	502.023.XX.6



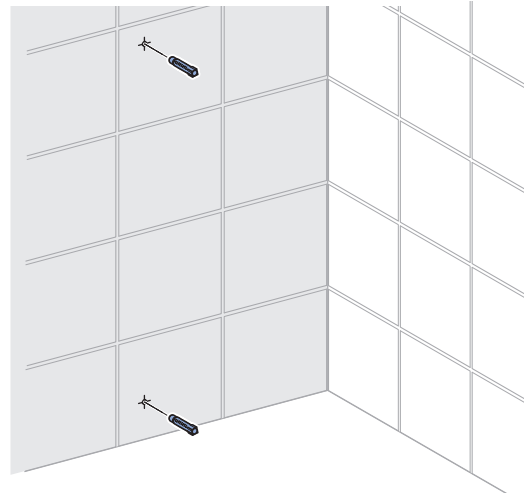
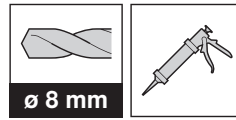
FI	560.820.XX.1
SE/DK	560.820.XX.2
NO	560.820.XX.3



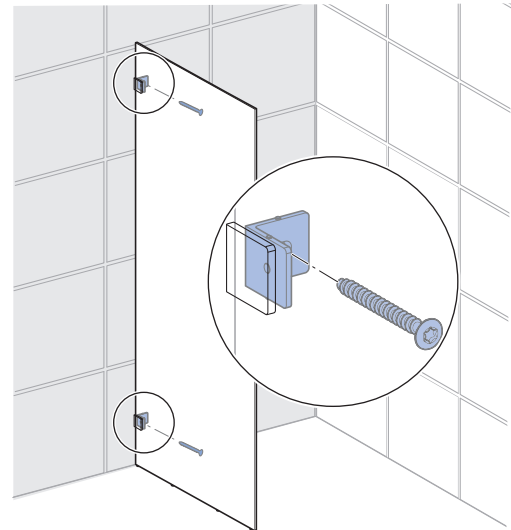
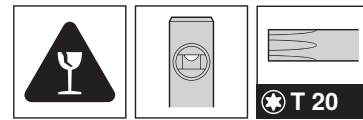
6



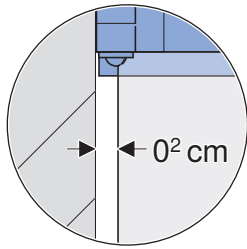
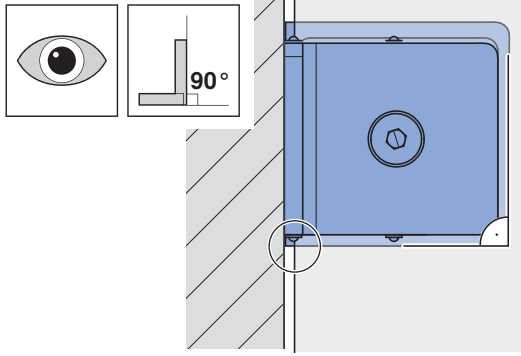
7



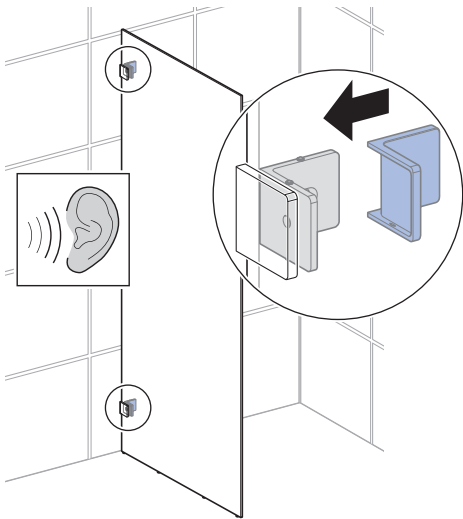
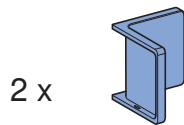
8



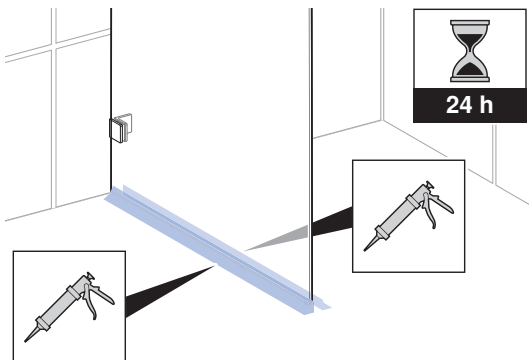
i



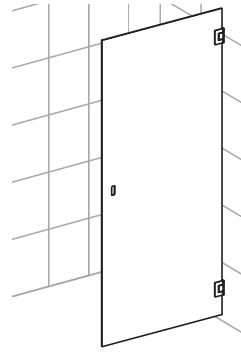
9



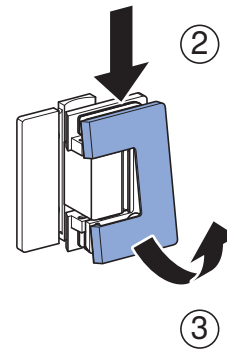
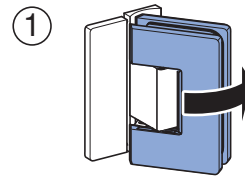
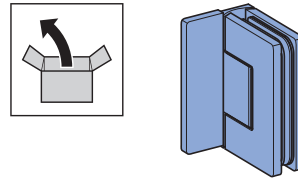
10



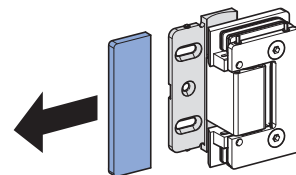
B



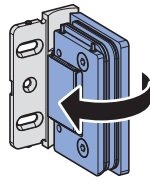
1



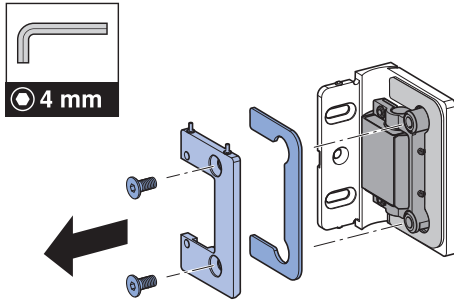
2



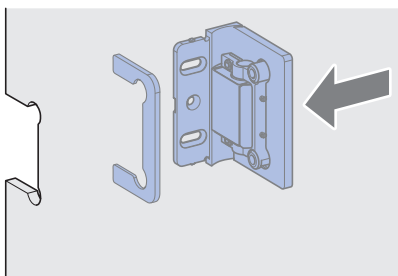
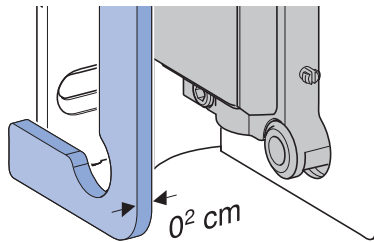
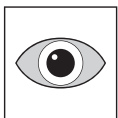
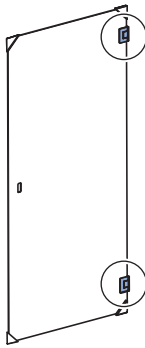
3



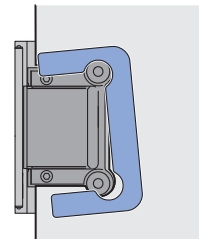
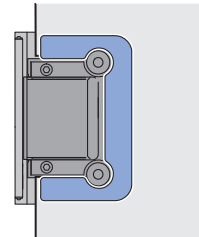
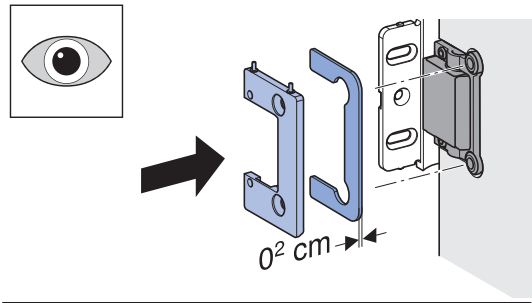
4



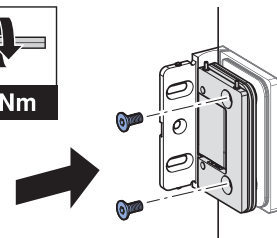
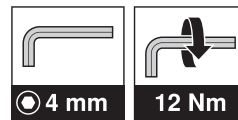
5



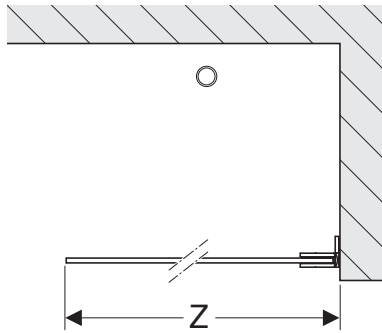
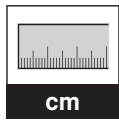
6



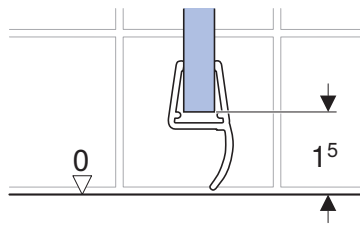
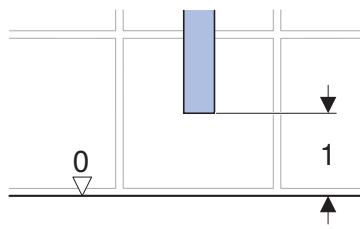
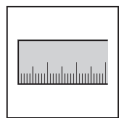
7



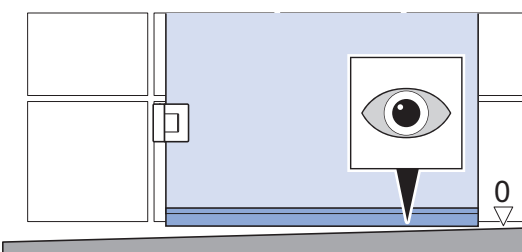
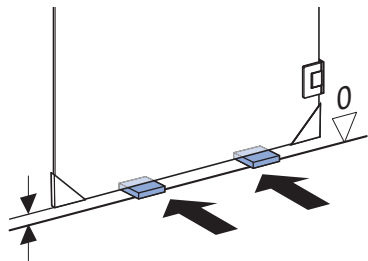
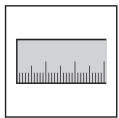
8



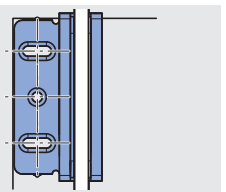
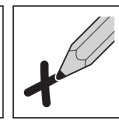
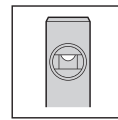
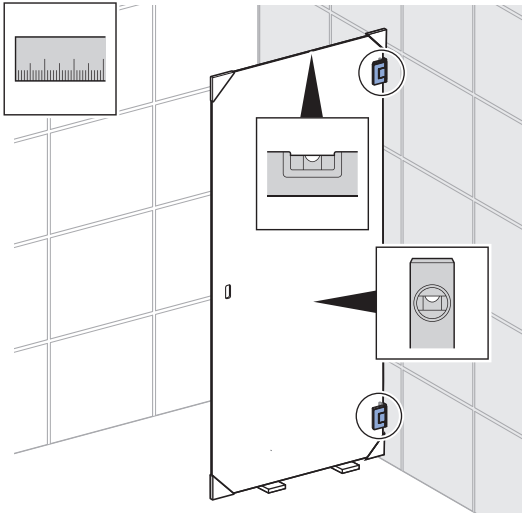
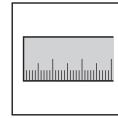
i



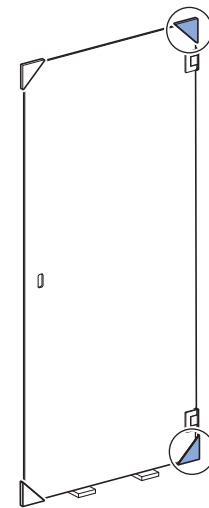
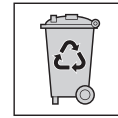
i



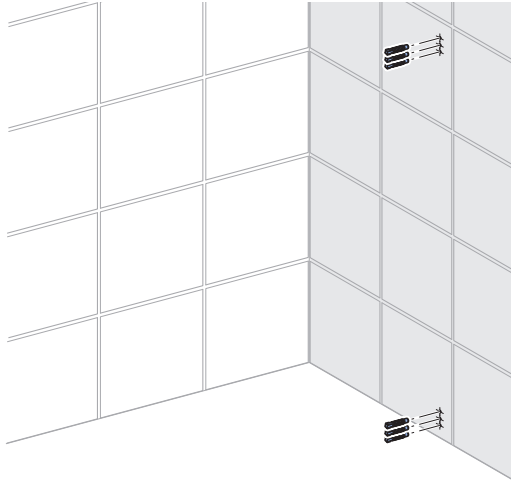
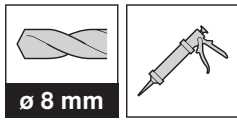
9



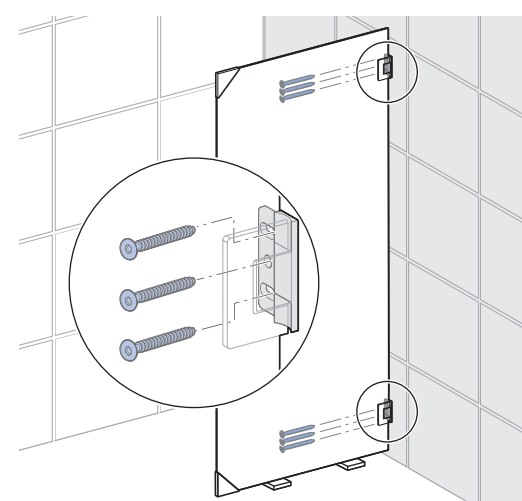
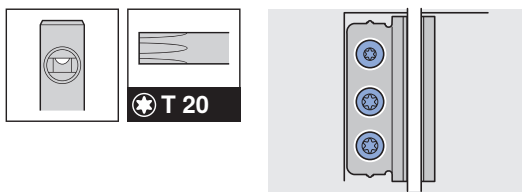
10



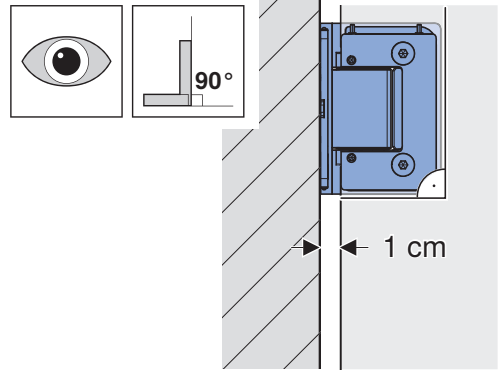
11



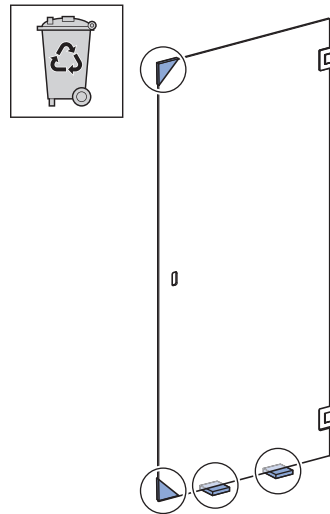
12



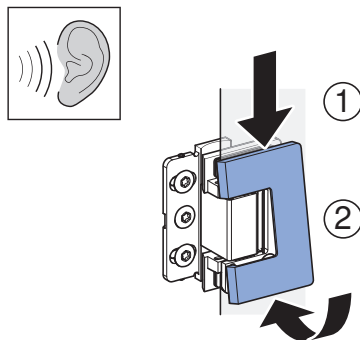
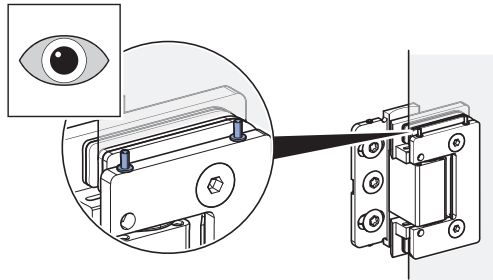
i



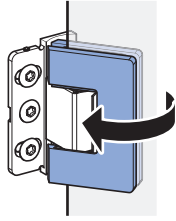
13



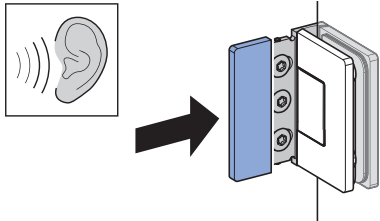
14



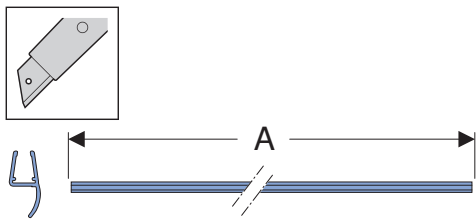
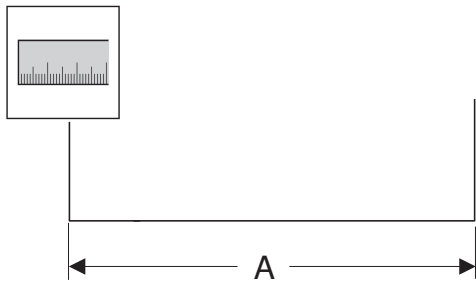
15



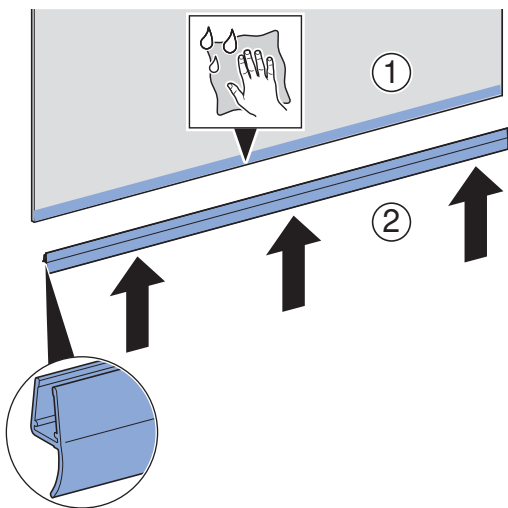
16



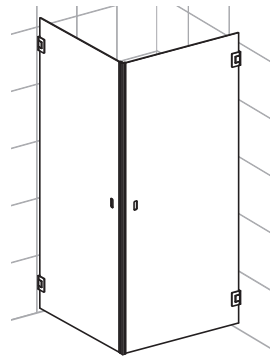
17



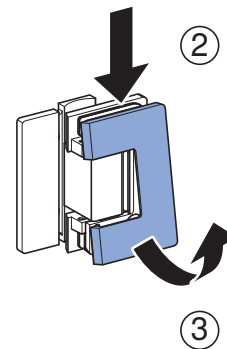
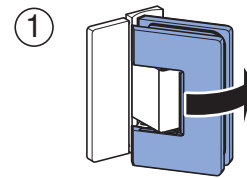
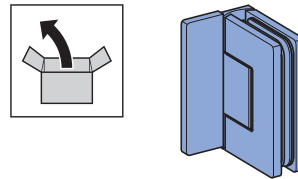
18



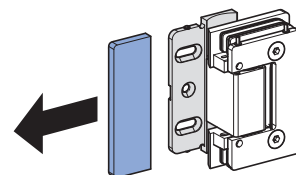
C



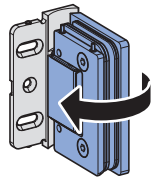
1



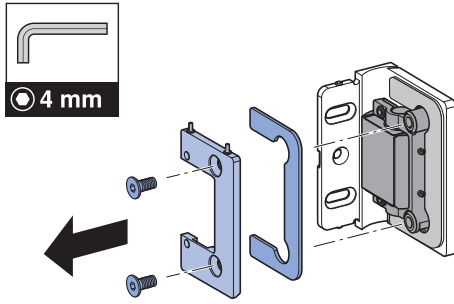
2



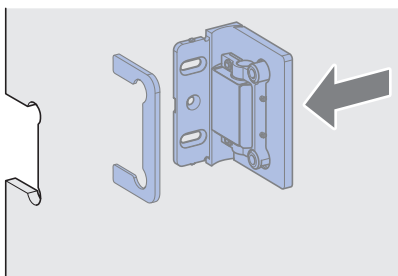
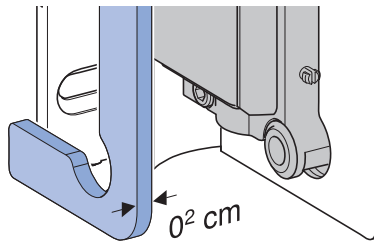
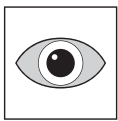
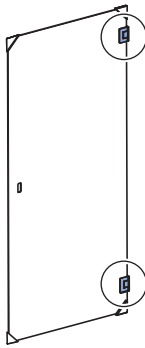
3



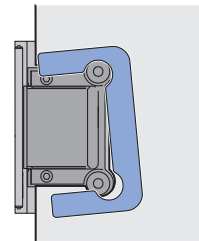
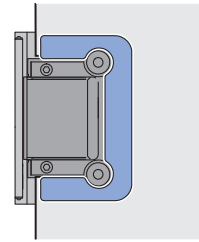
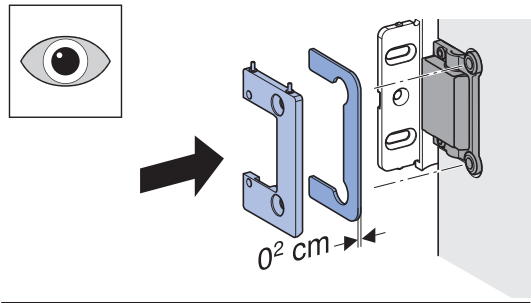
4



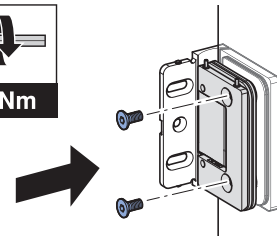
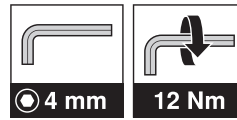
5



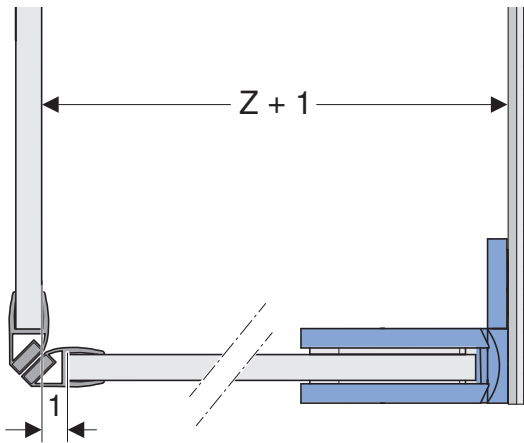
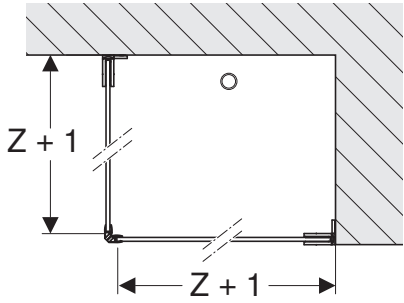
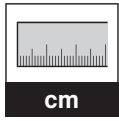
6



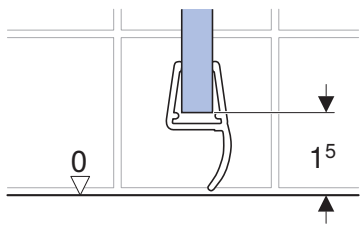
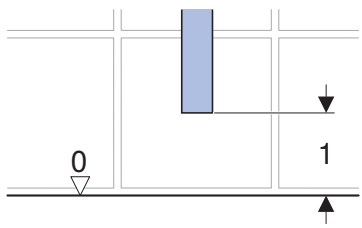
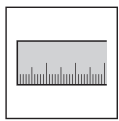
7



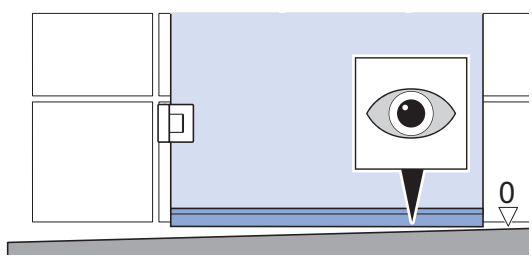
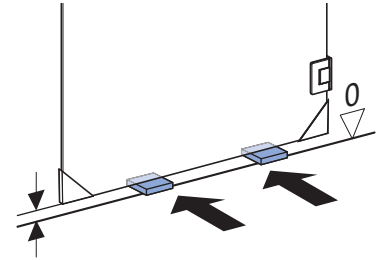
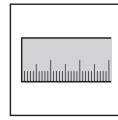
8



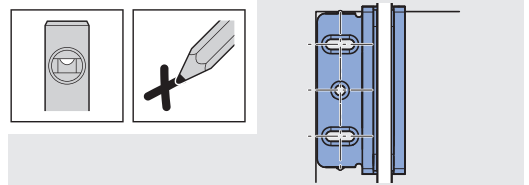
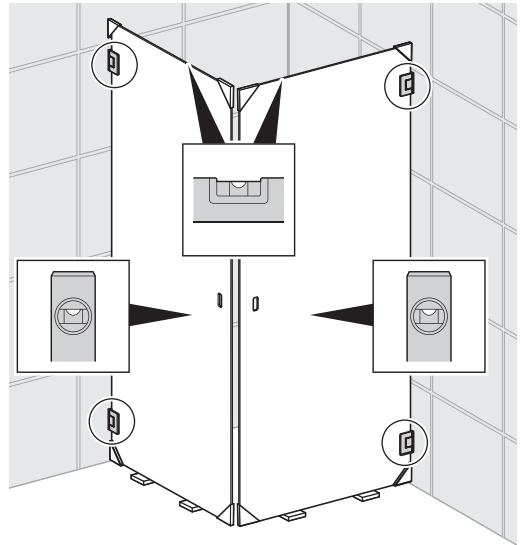
i



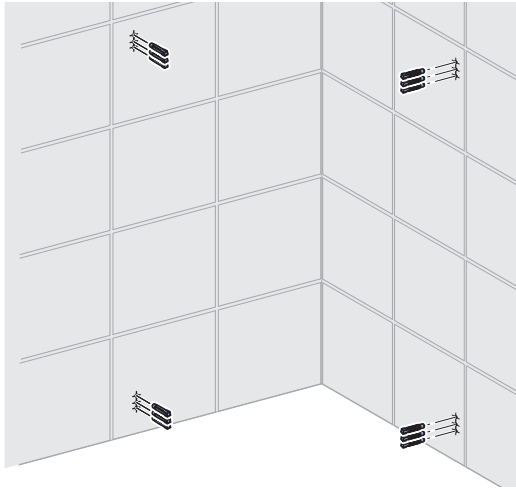
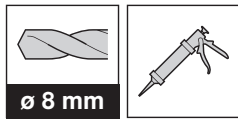
i



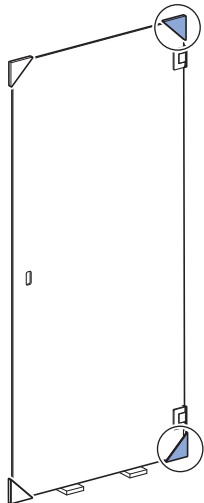
9



10

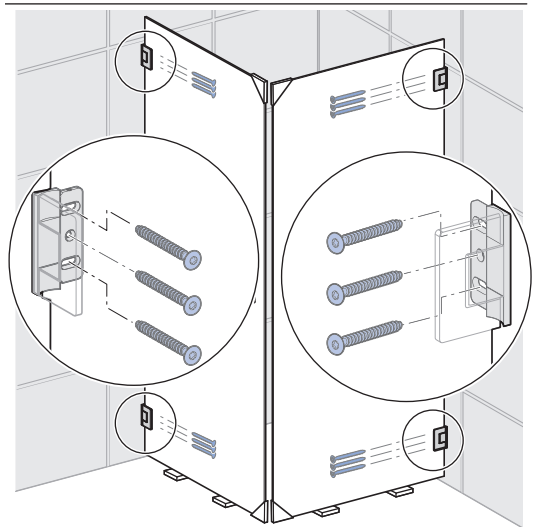
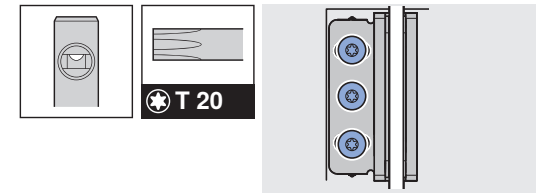


11

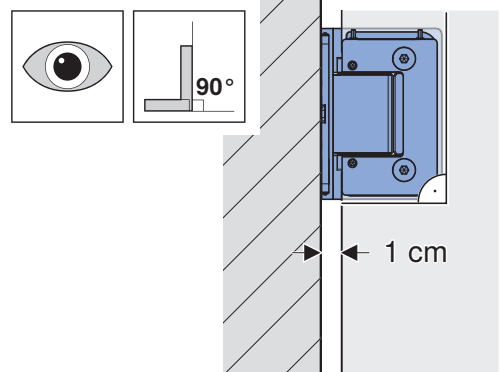


12

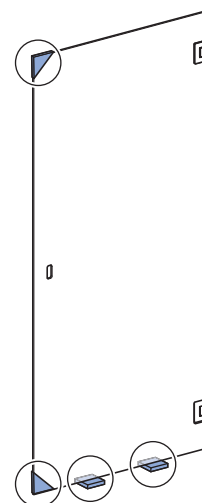
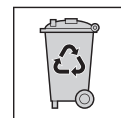
12 x 4.2 x 60 mm

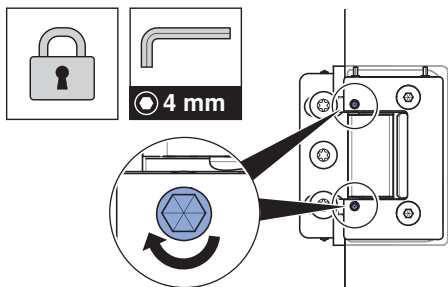
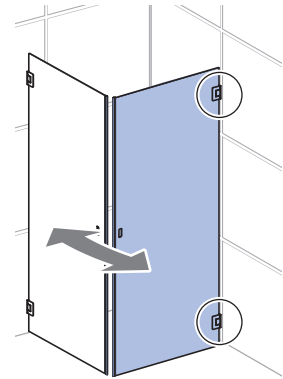
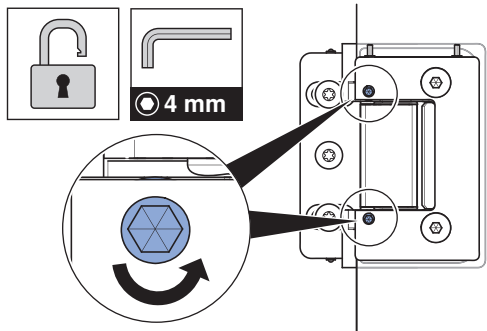
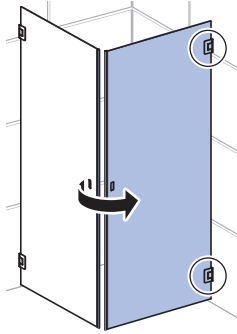
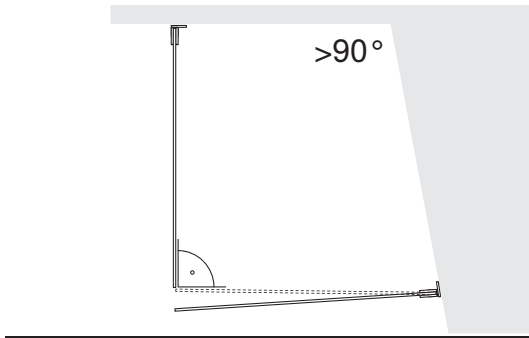


i

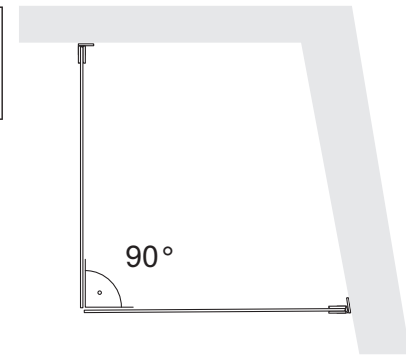


13

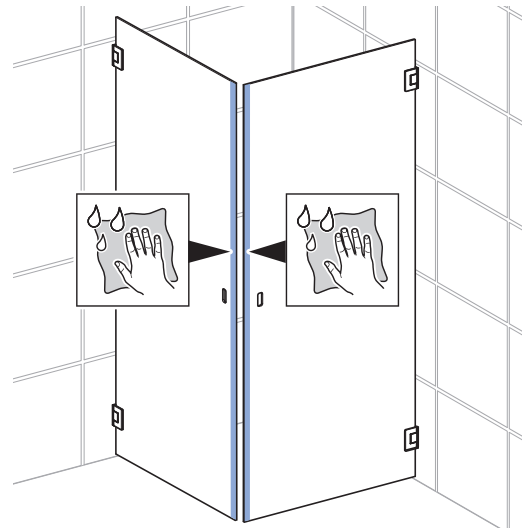




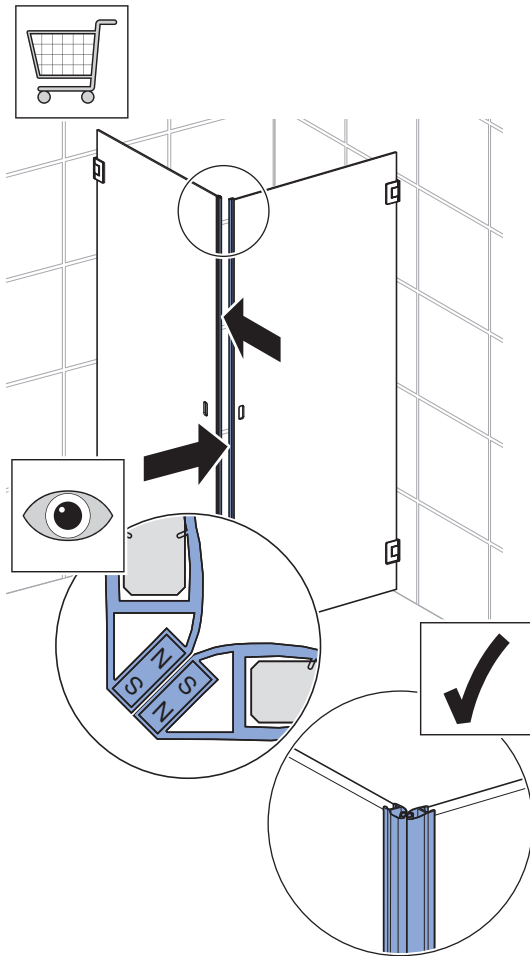
14



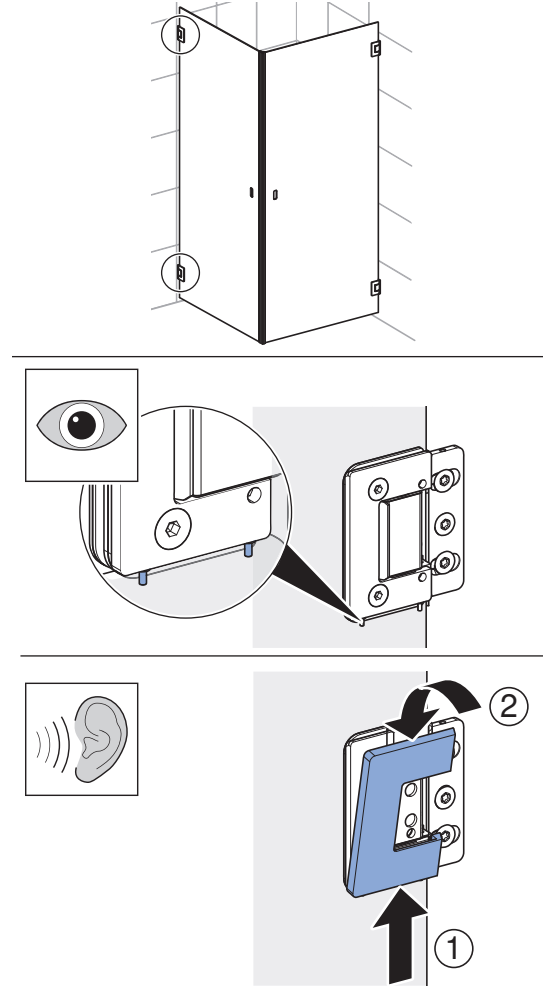
15



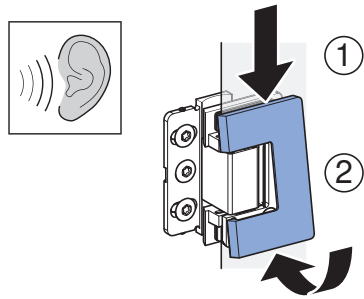
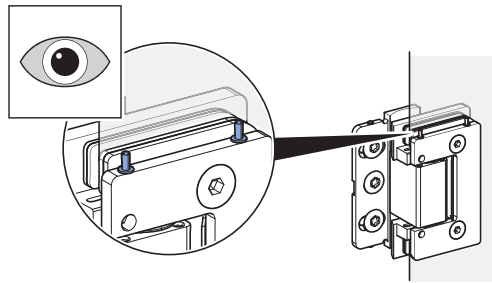
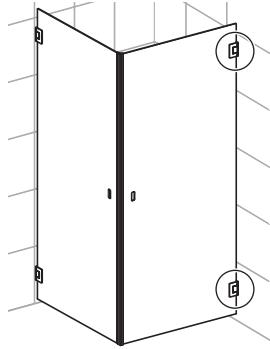
16



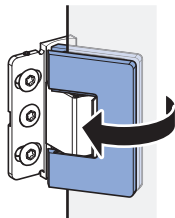
17



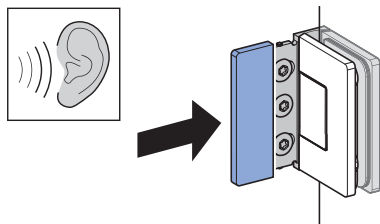
18



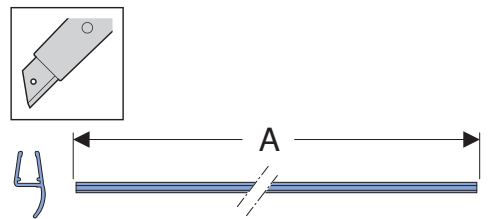
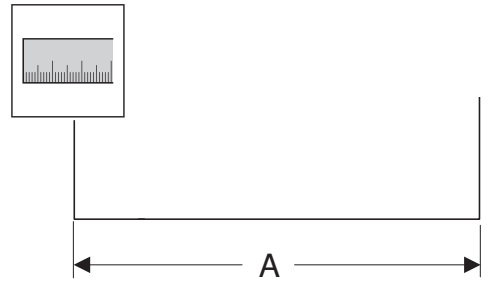
19



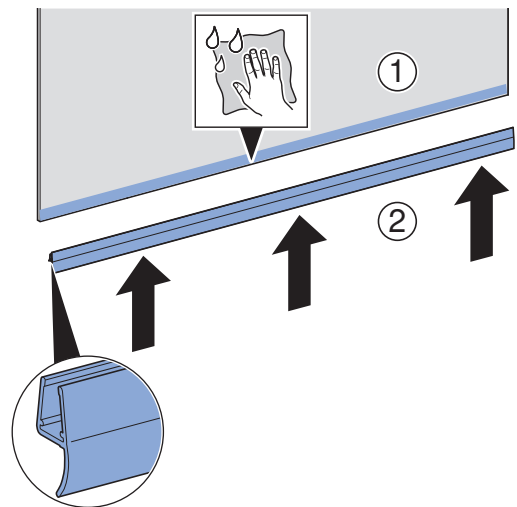
20



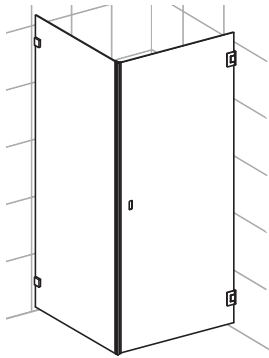
21



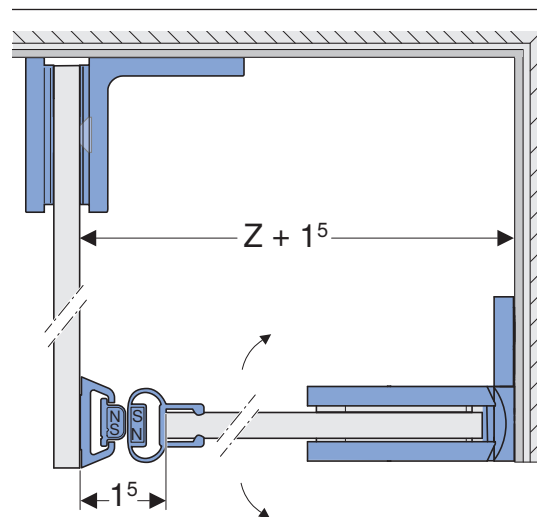
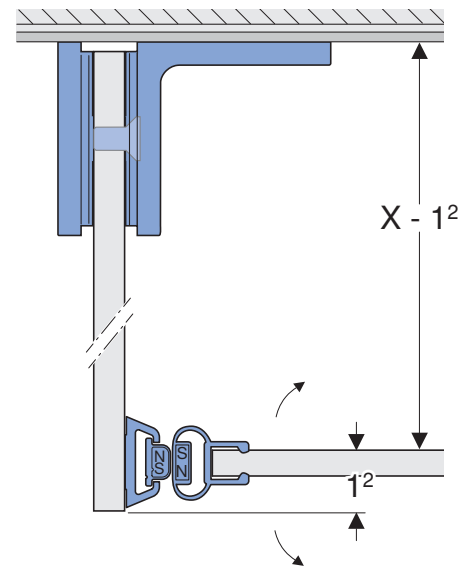
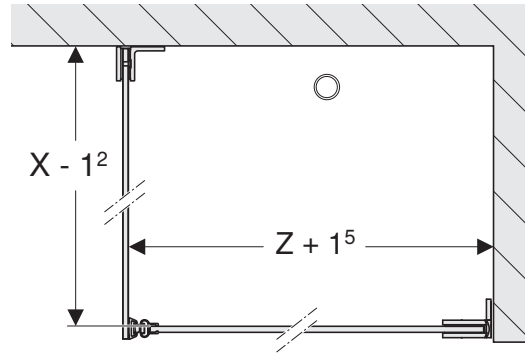
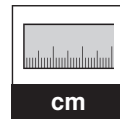
22



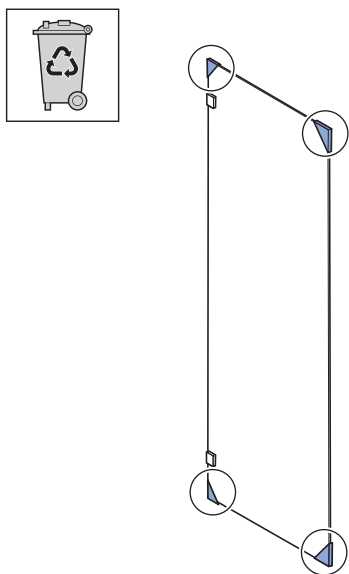
D



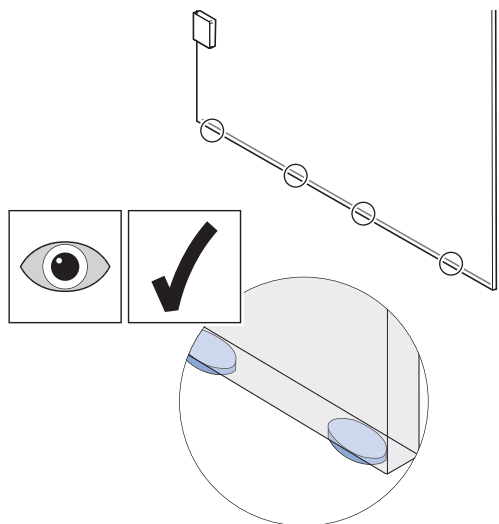
✓



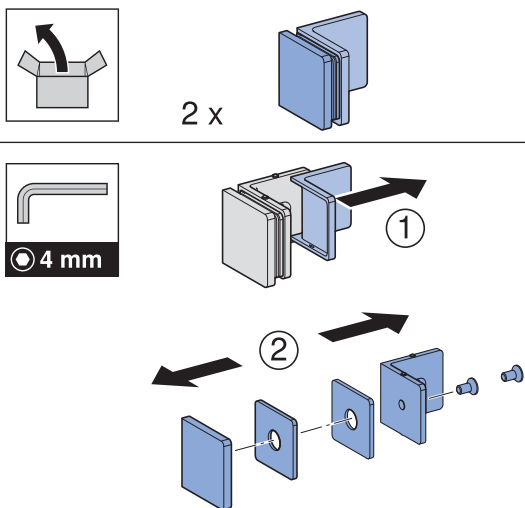
1



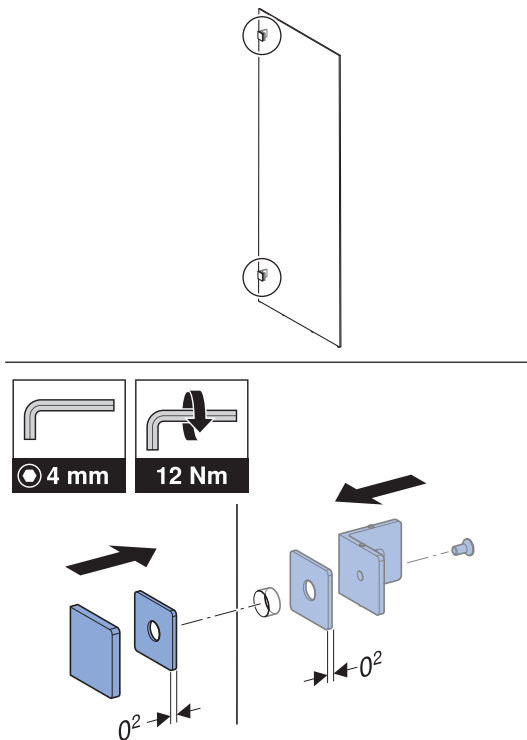
2



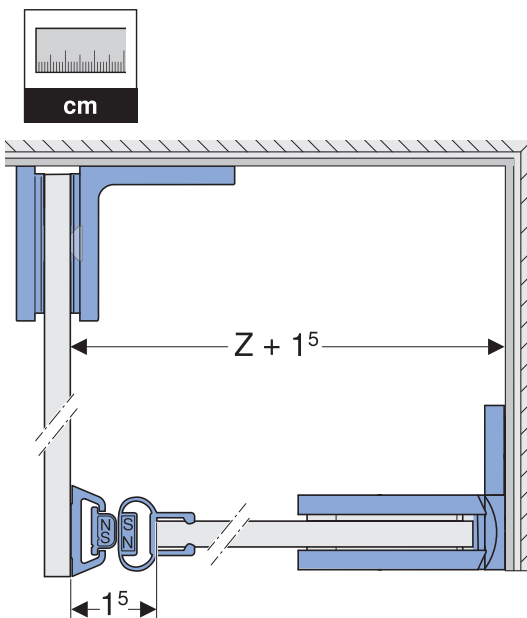
3

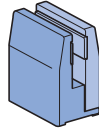
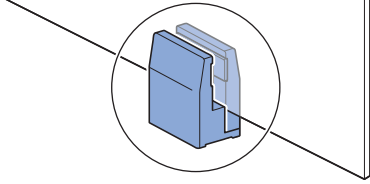


4



5

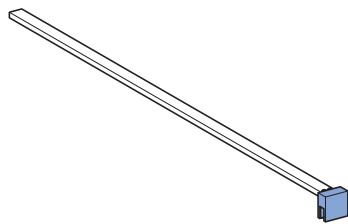




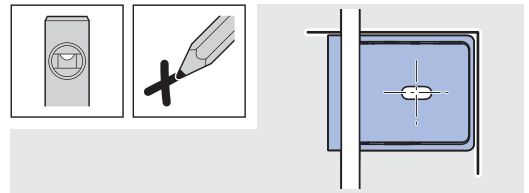
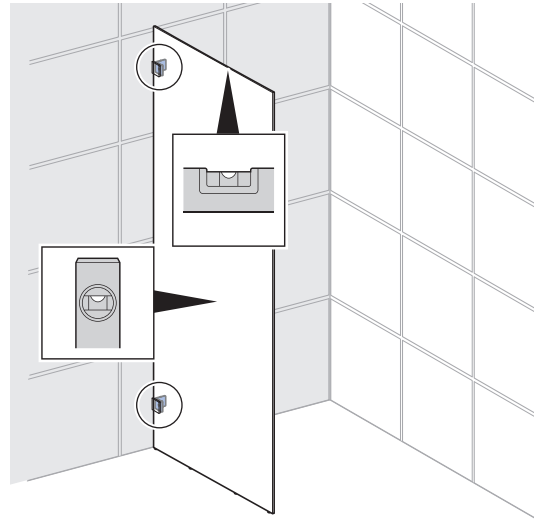
FI	500.880.XX.5
SE/DK	0682480/502.919.14.3
NO	502.023.XX.6



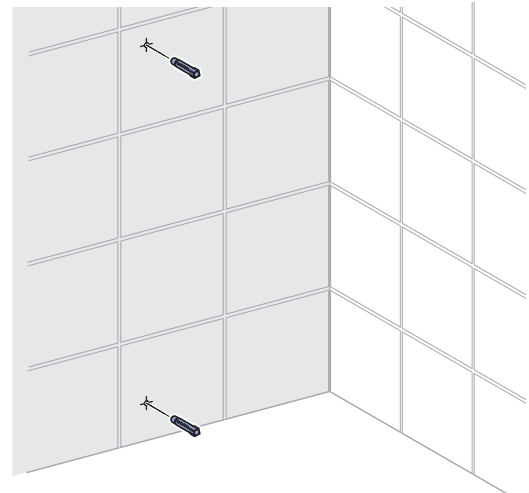
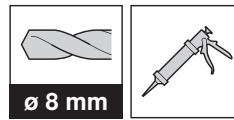
FI	560.820.XX.1
SE/DK	560.820.XX.2
NO	560.820.XX.3



6

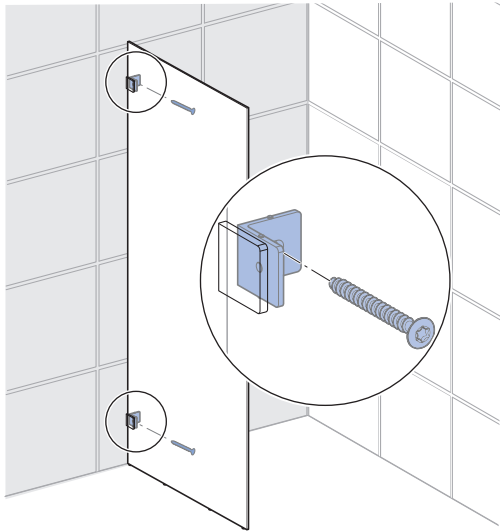
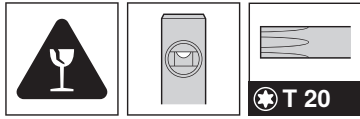


7

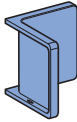


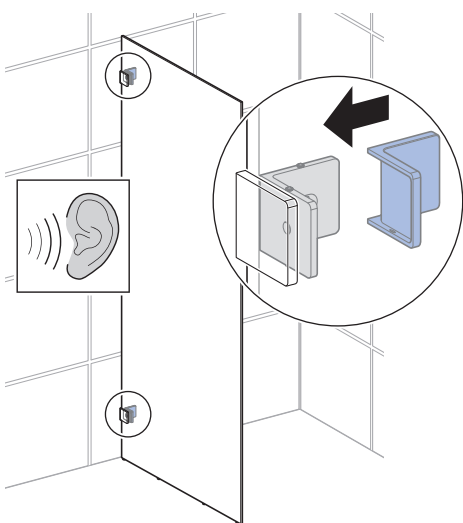
8

2 x  4.2 x 60 mm

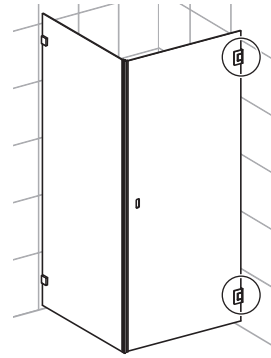


9

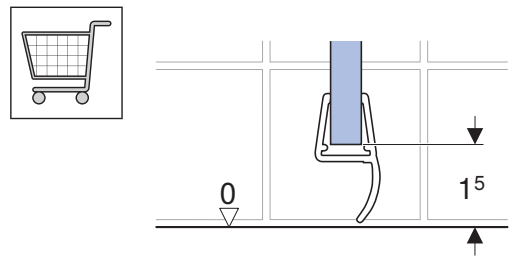
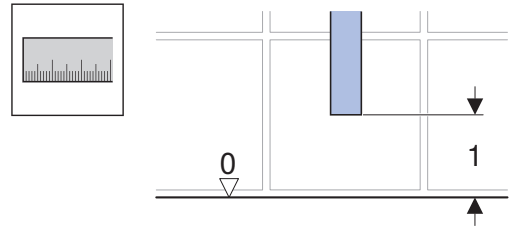
2 x 



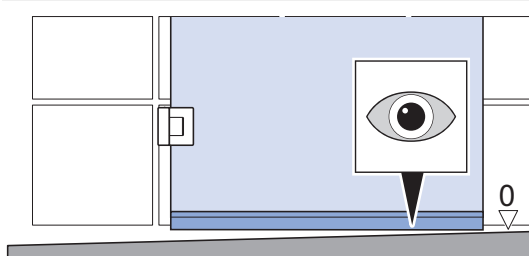
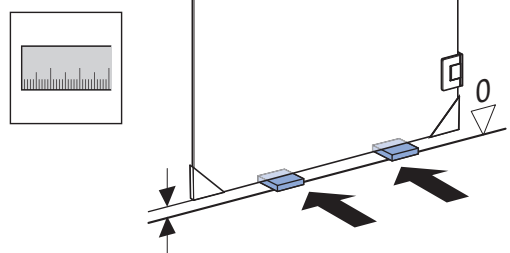
10



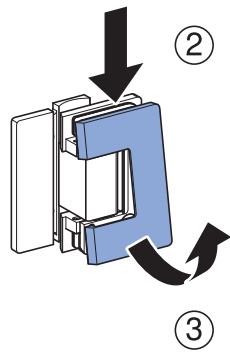
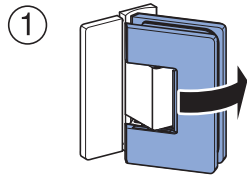
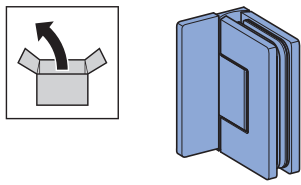
i



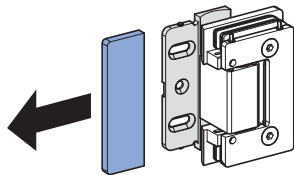
i



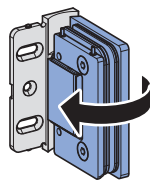
11



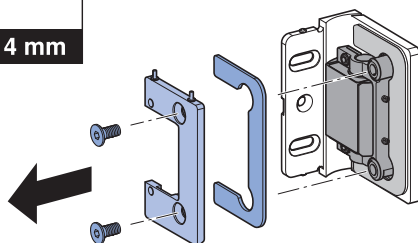
12



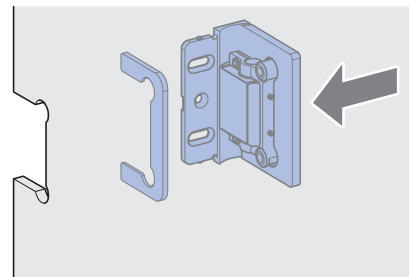
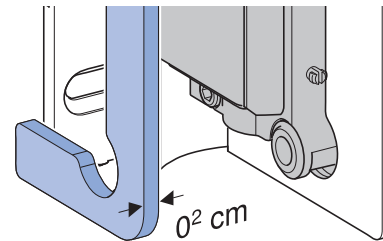
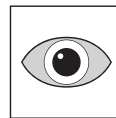
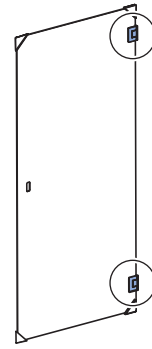
13



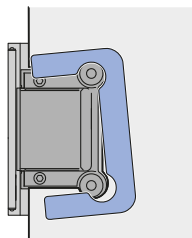
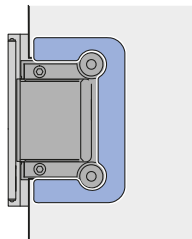
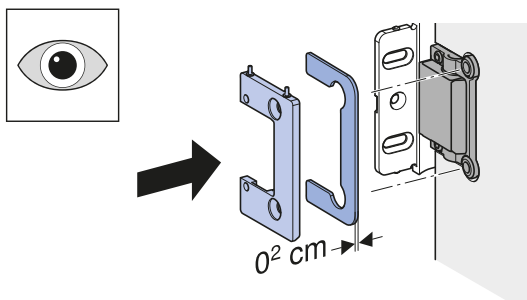
14



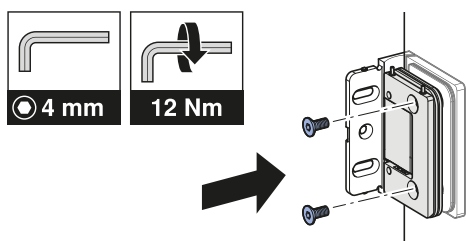
15



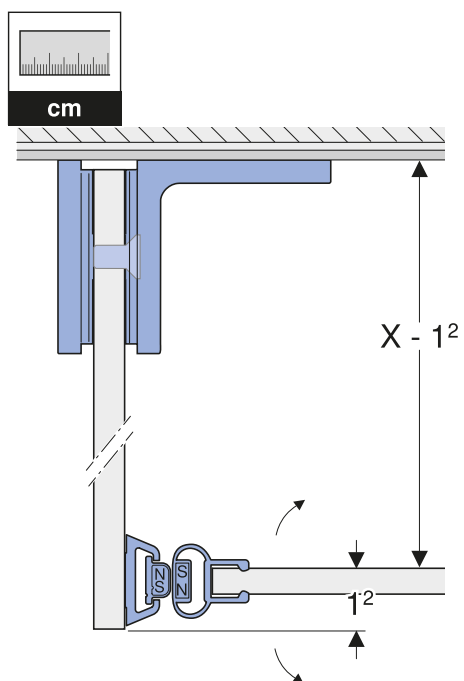
16



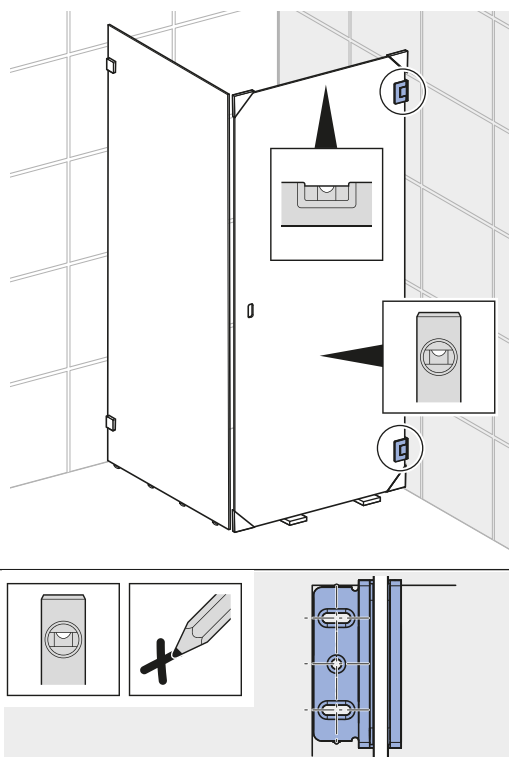
17



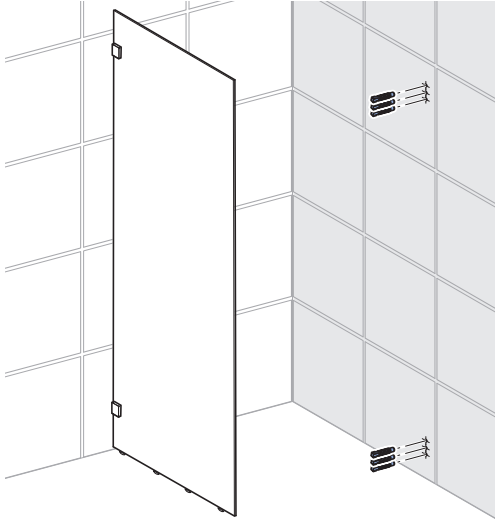
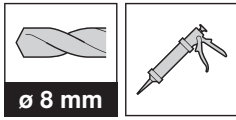
18



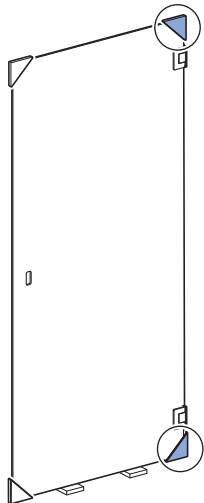
19



20

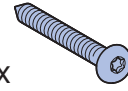


21

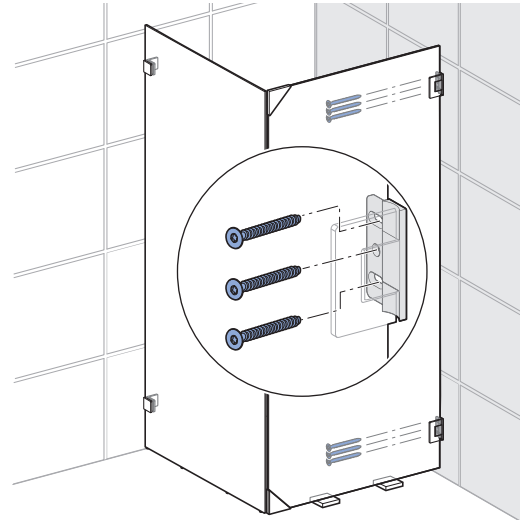
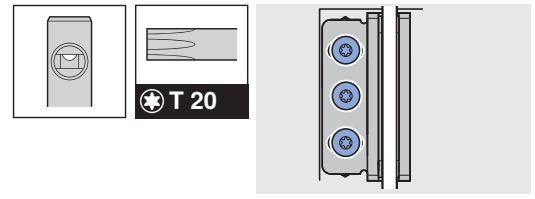


22

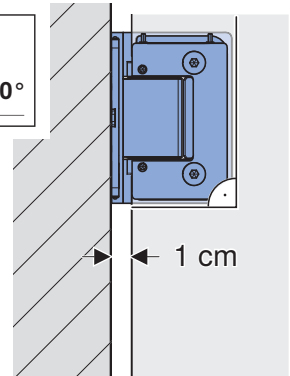
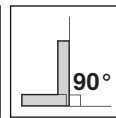
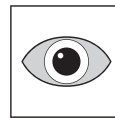
6 x



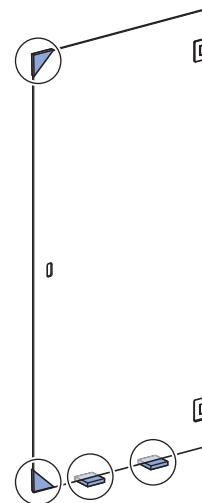
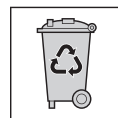
4.2 x 60 mm



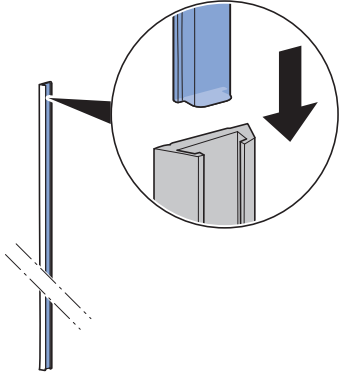
i



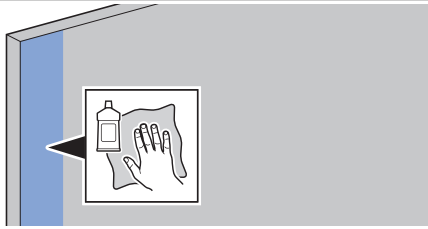
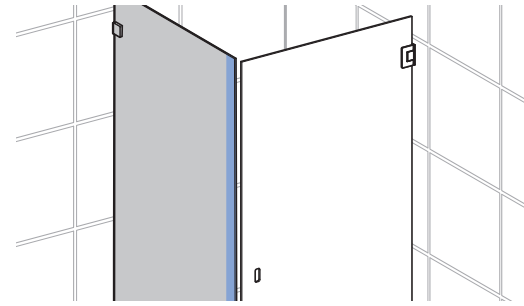
23



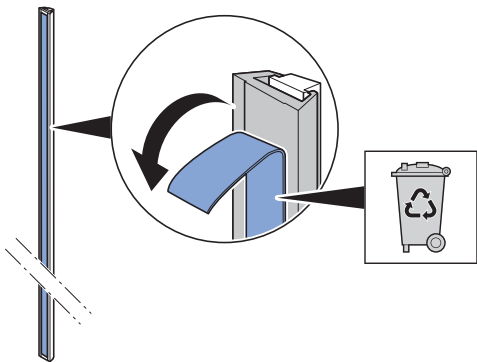
24



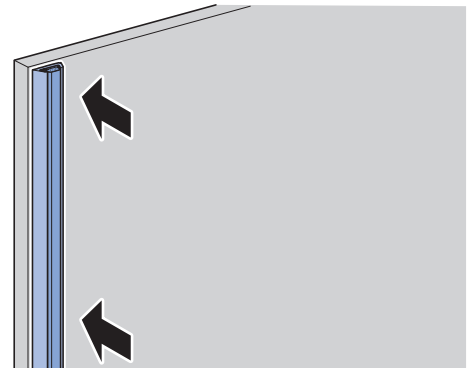
25



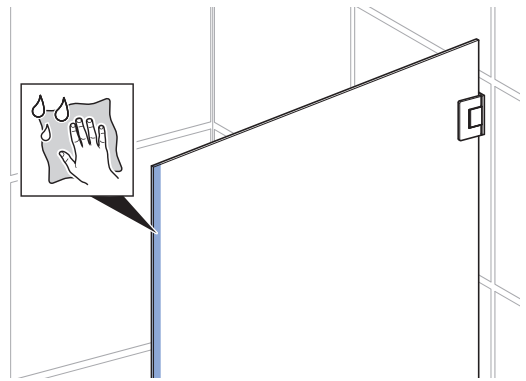
26



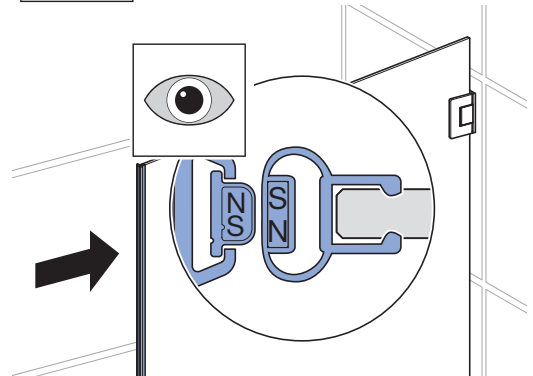
27

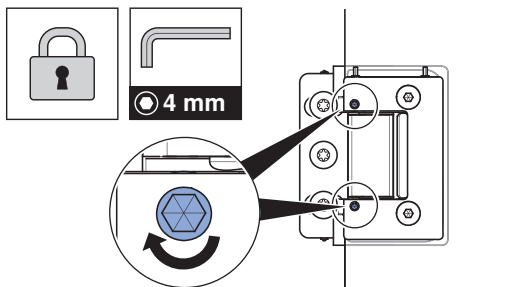
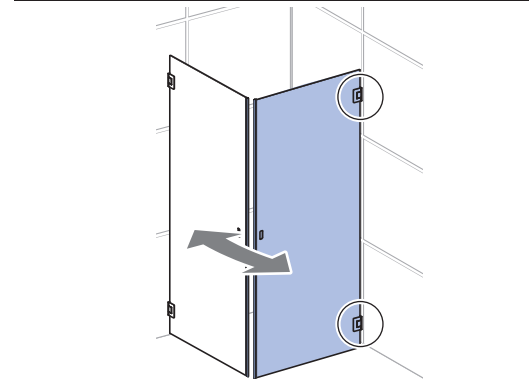
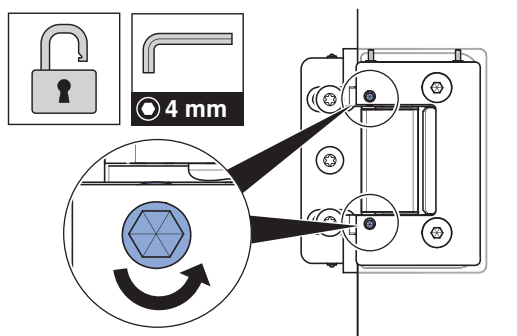
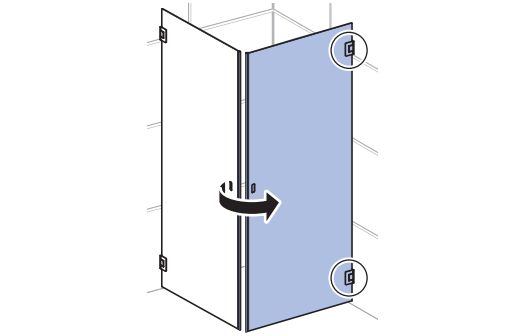
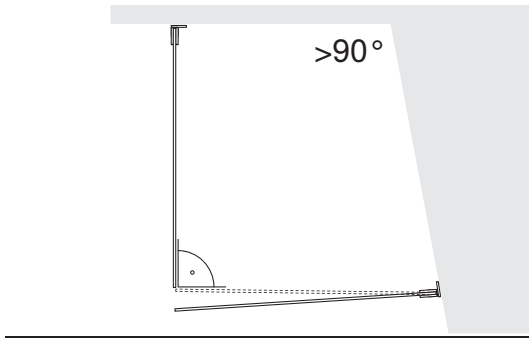


28

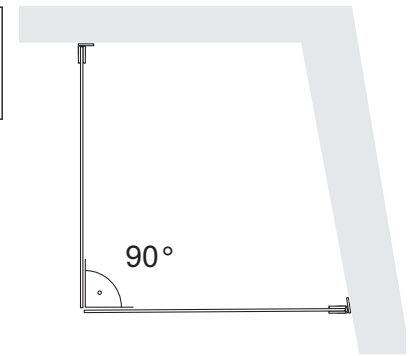


29

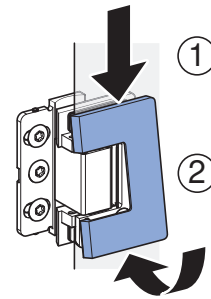
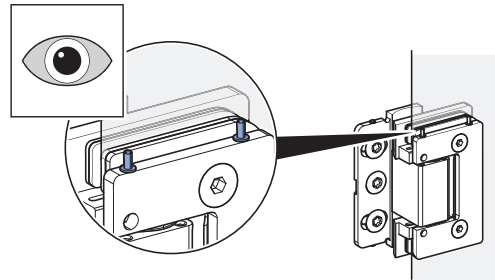




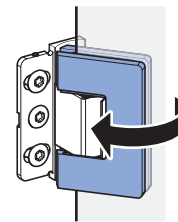
30



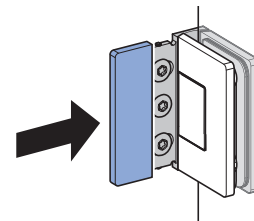
31



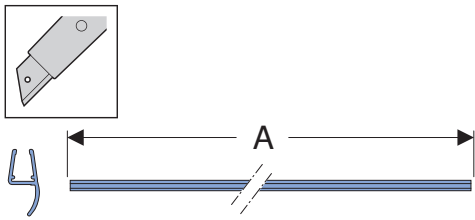
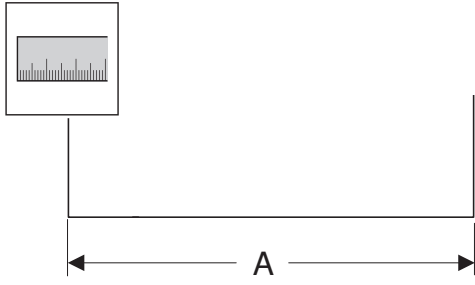
32



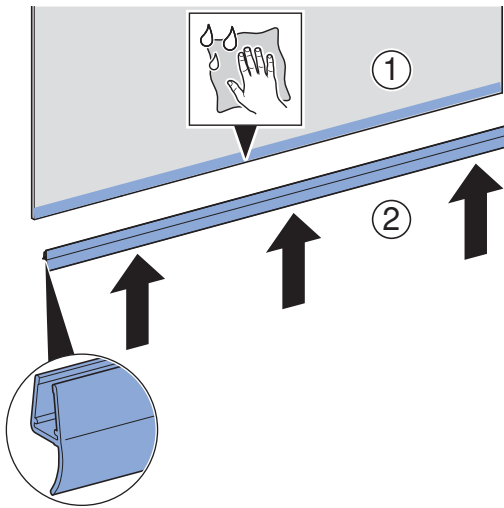
33



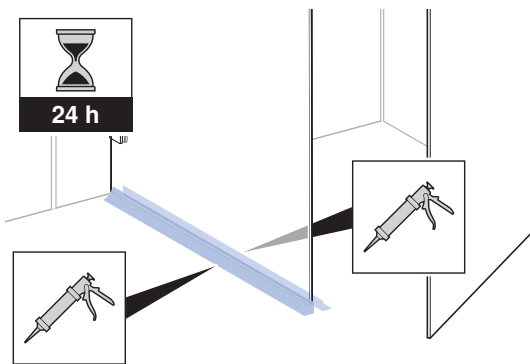
34



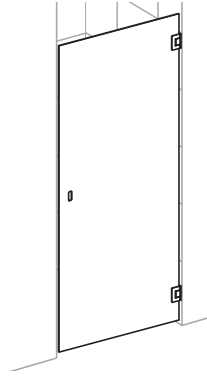
35



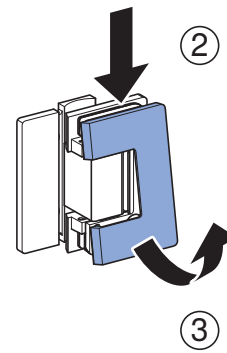
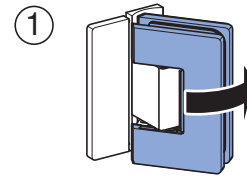
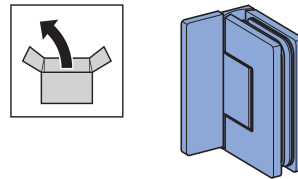
36



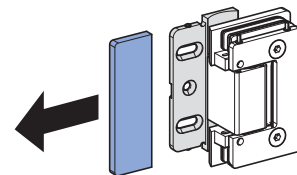
E



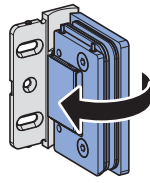
1



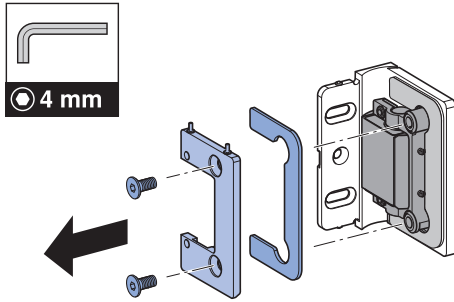
2



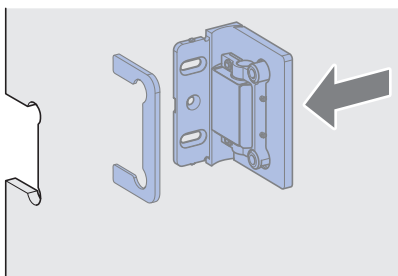
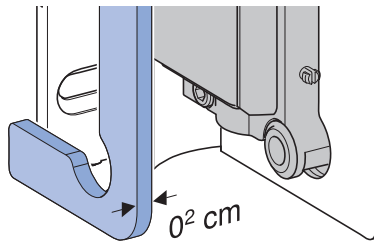
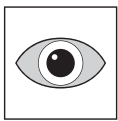
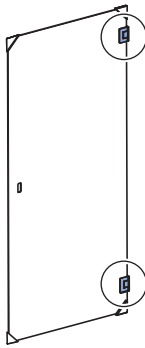
3



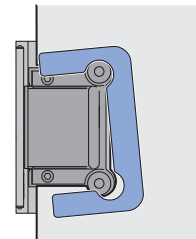
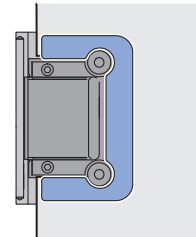
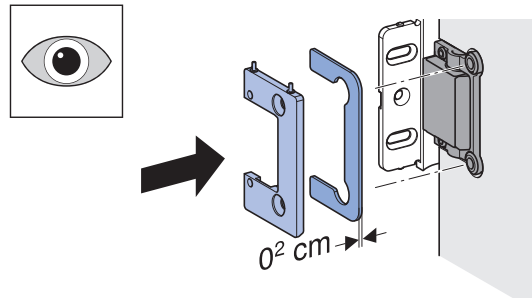
4



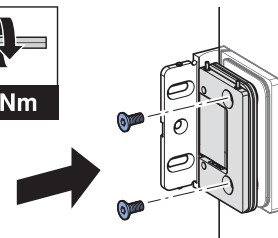
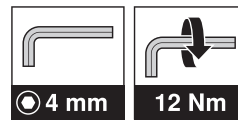
5



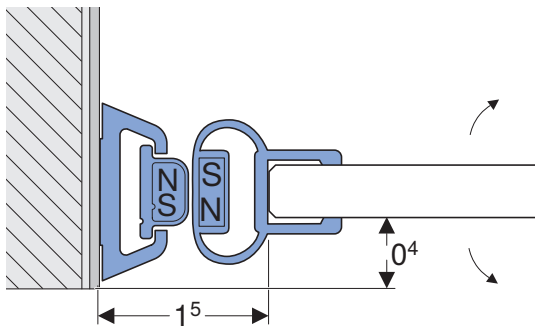
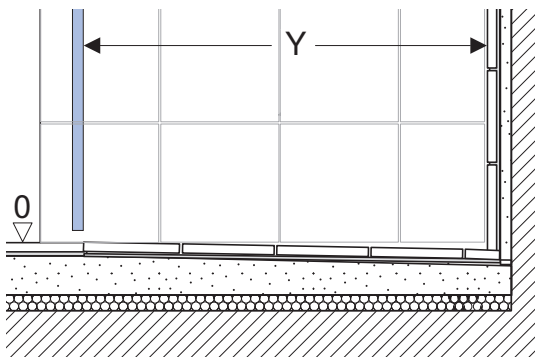
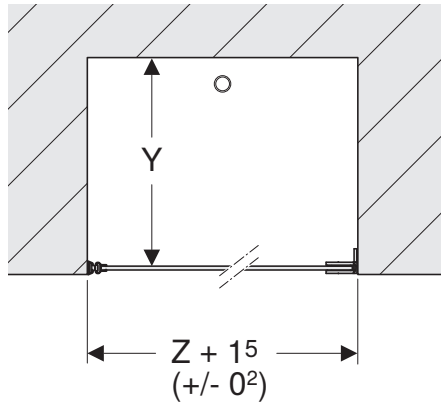
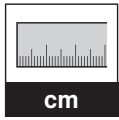
6



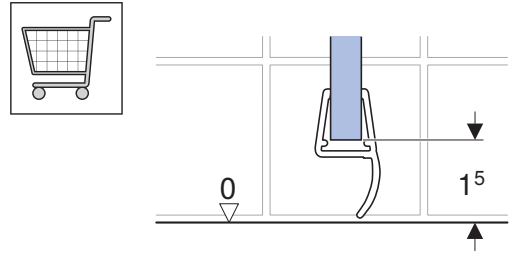
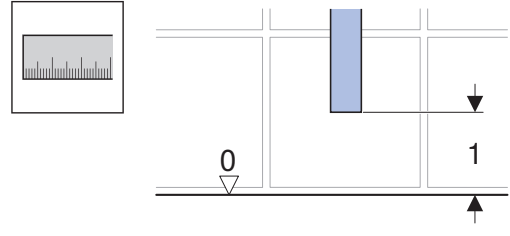
7



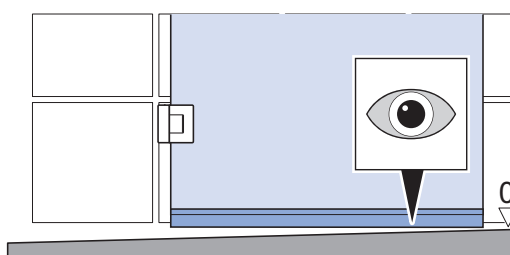
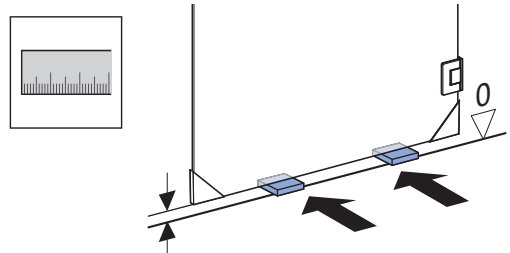
8



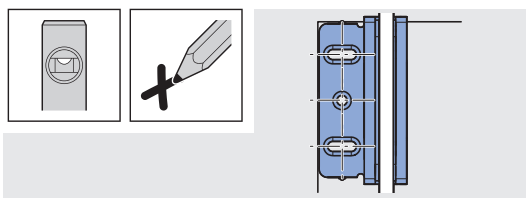
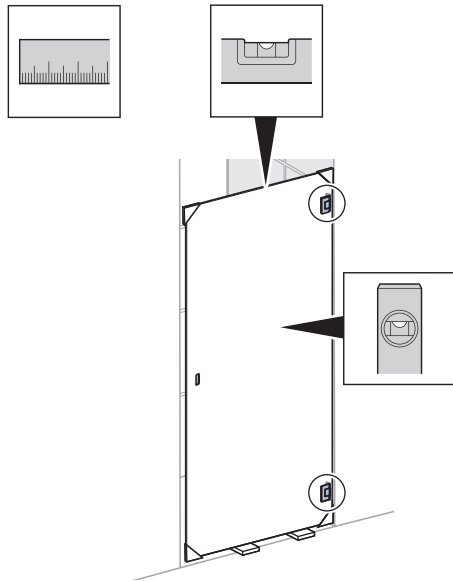
i



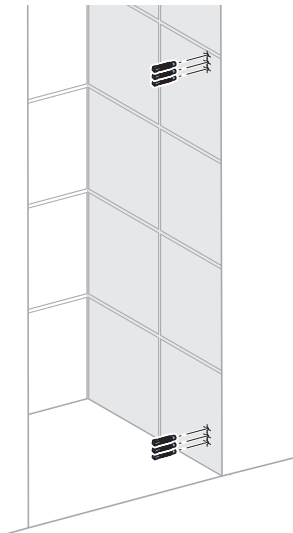
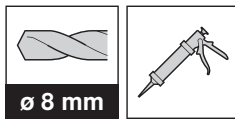
i



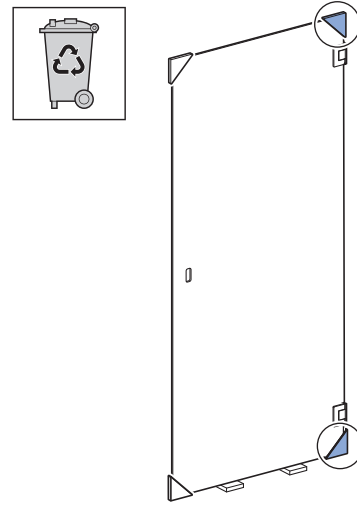
9



10

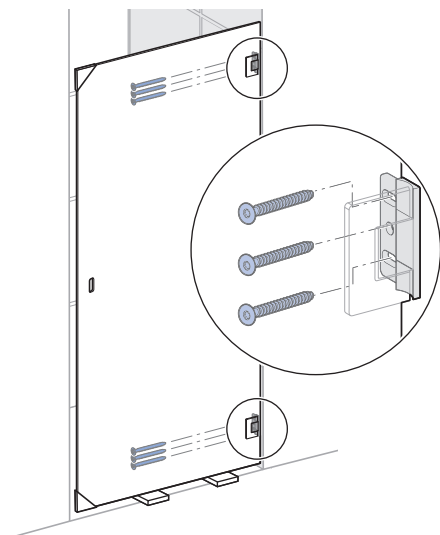
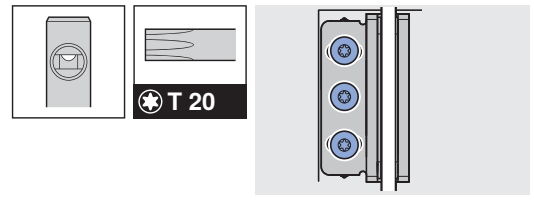


11

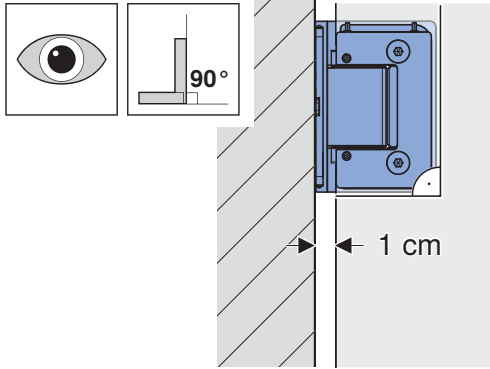


12

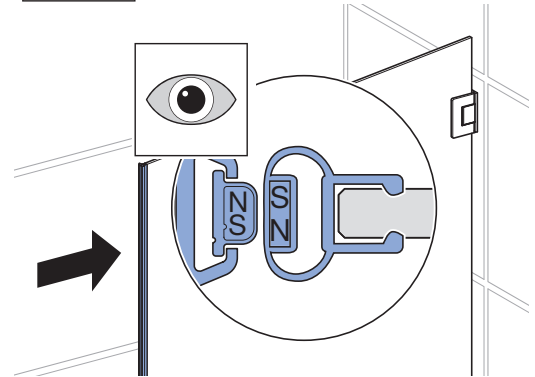
6 x  4.2 x 60 mm



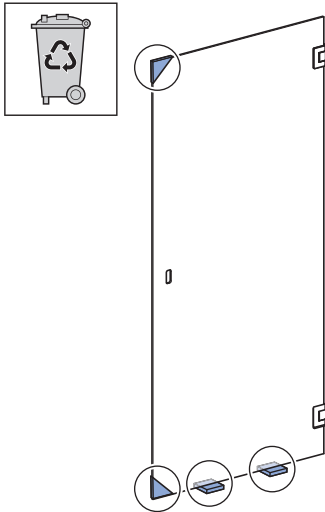
i



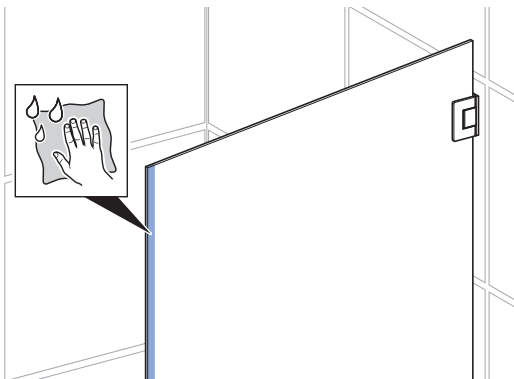
15

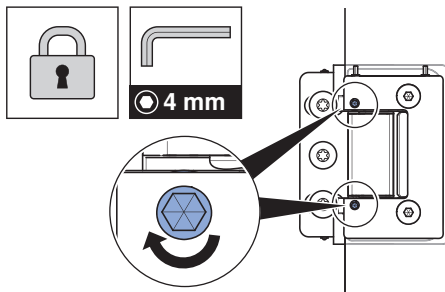
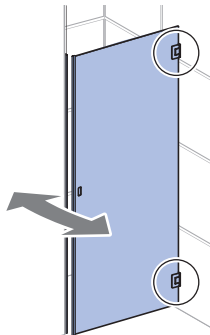
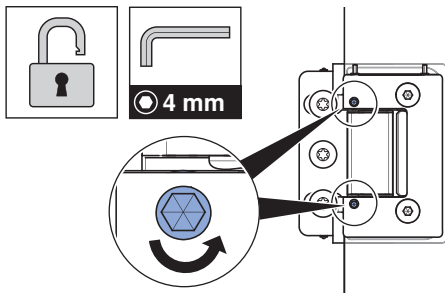
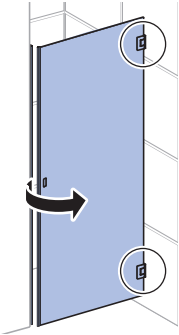
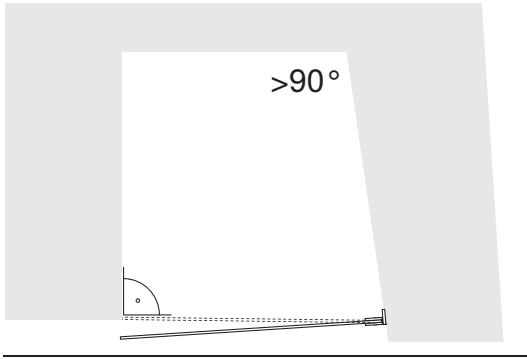


13

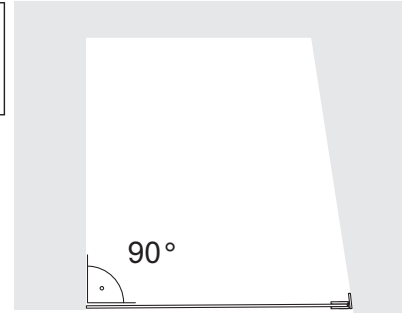


14

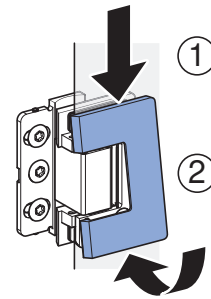
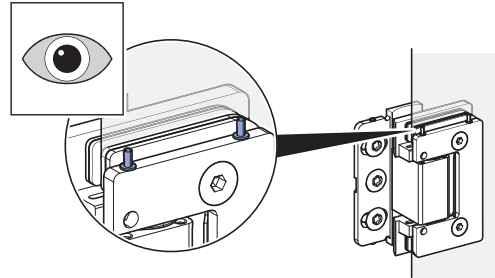




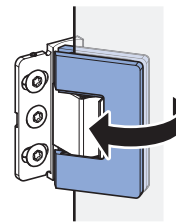
16



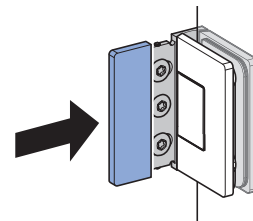
17



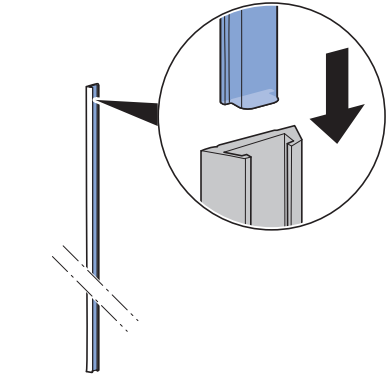
18



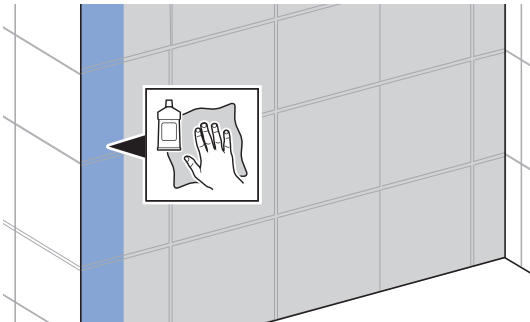
19



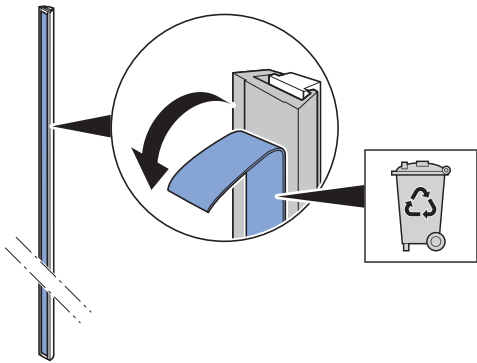
20



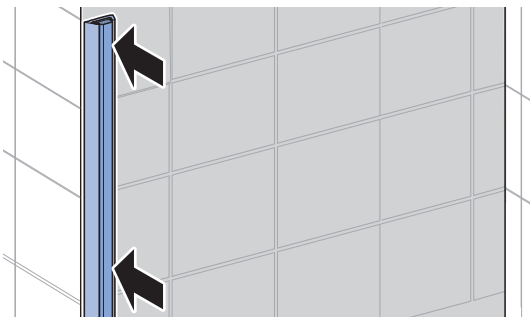
21



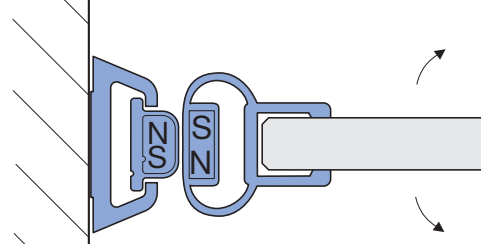
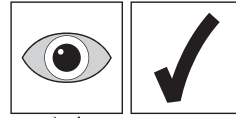
22



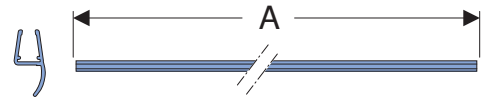
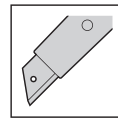
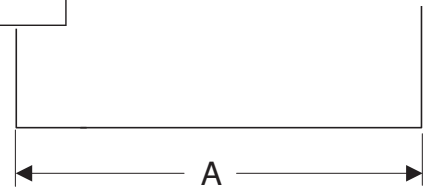
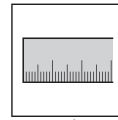
23



i



24



25

