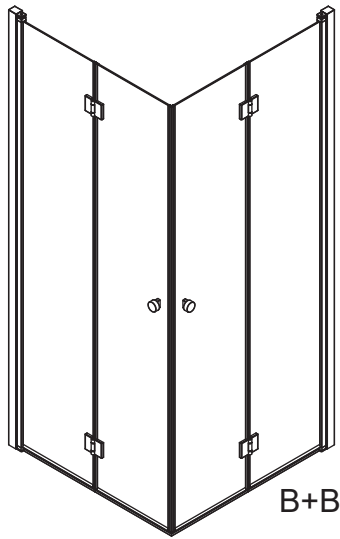
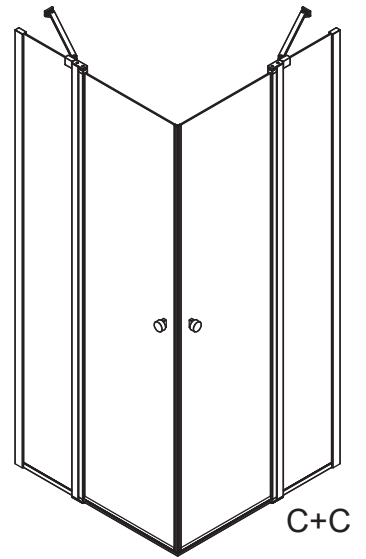


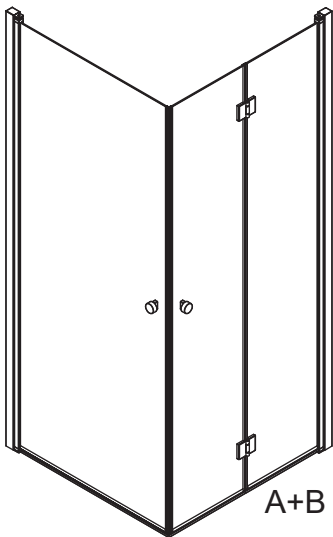
A+A



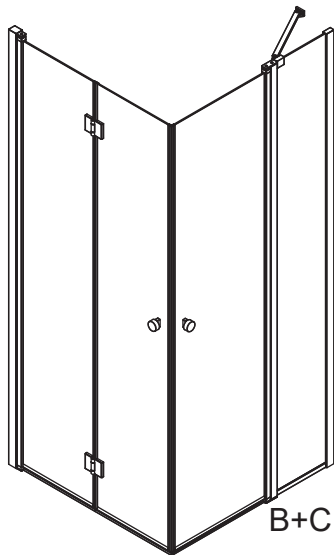
B+B



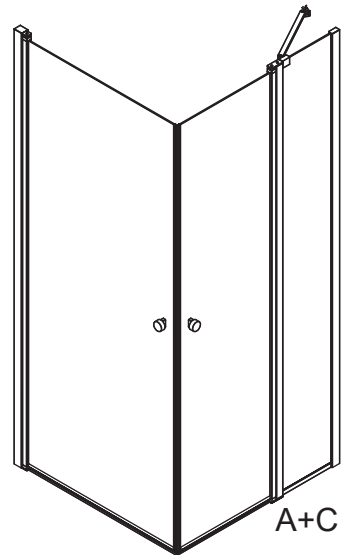
C+C



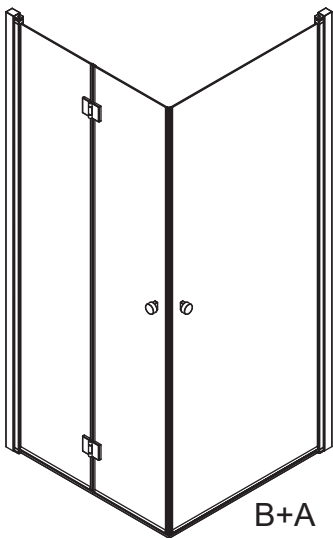
A+B



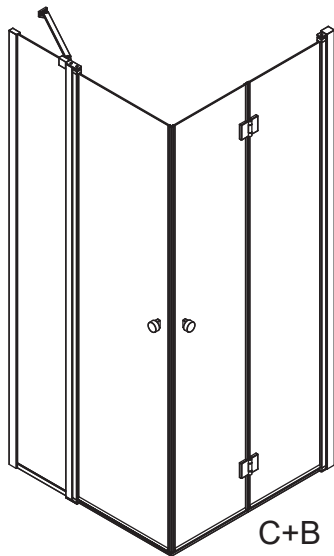
B+C



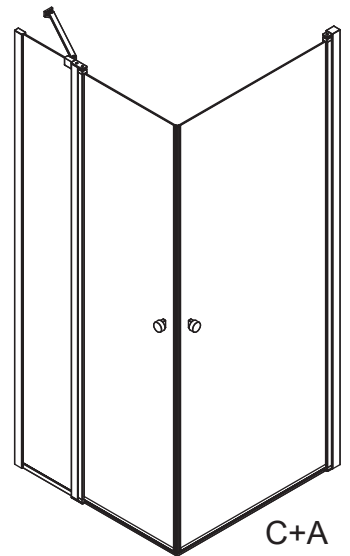
A+C



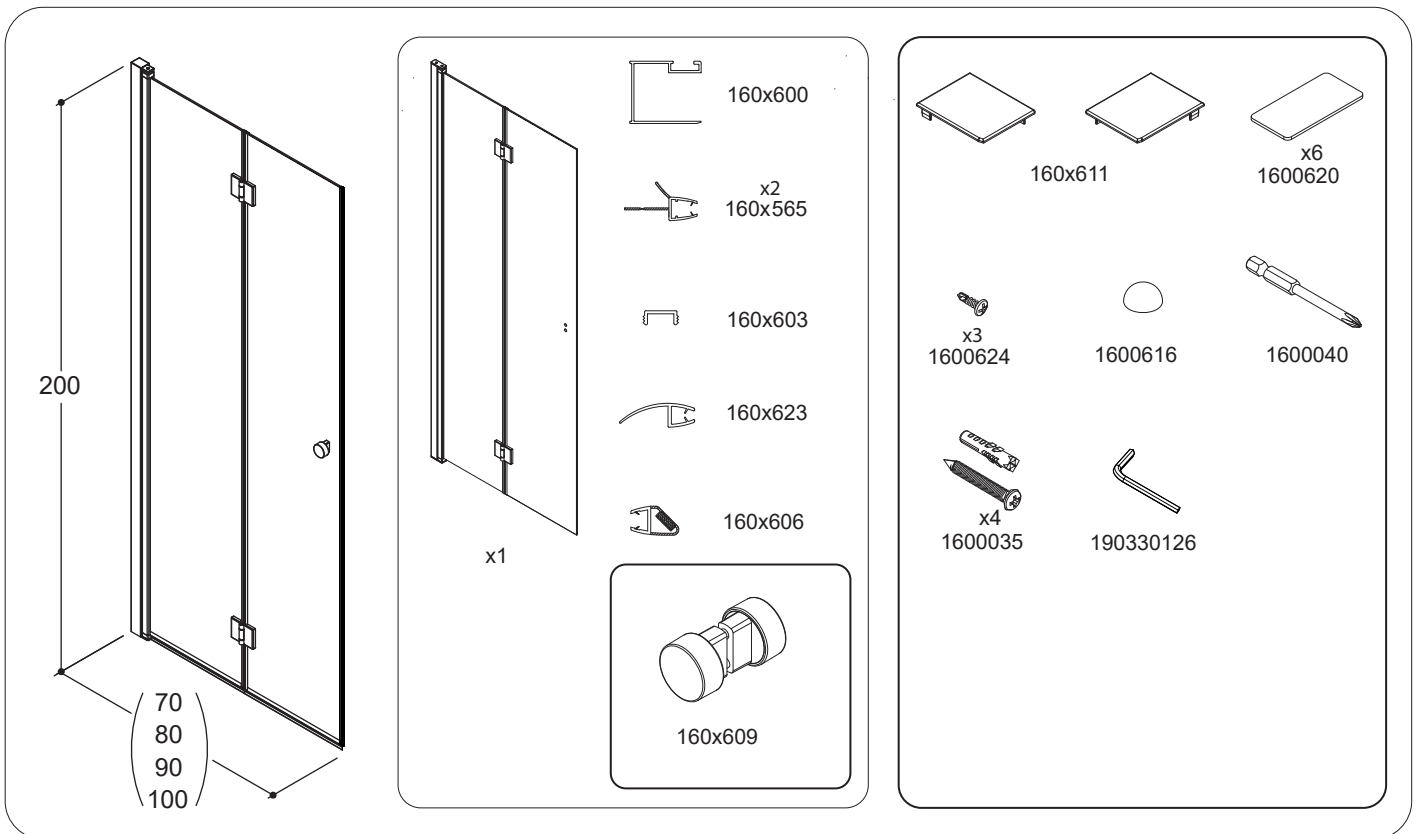
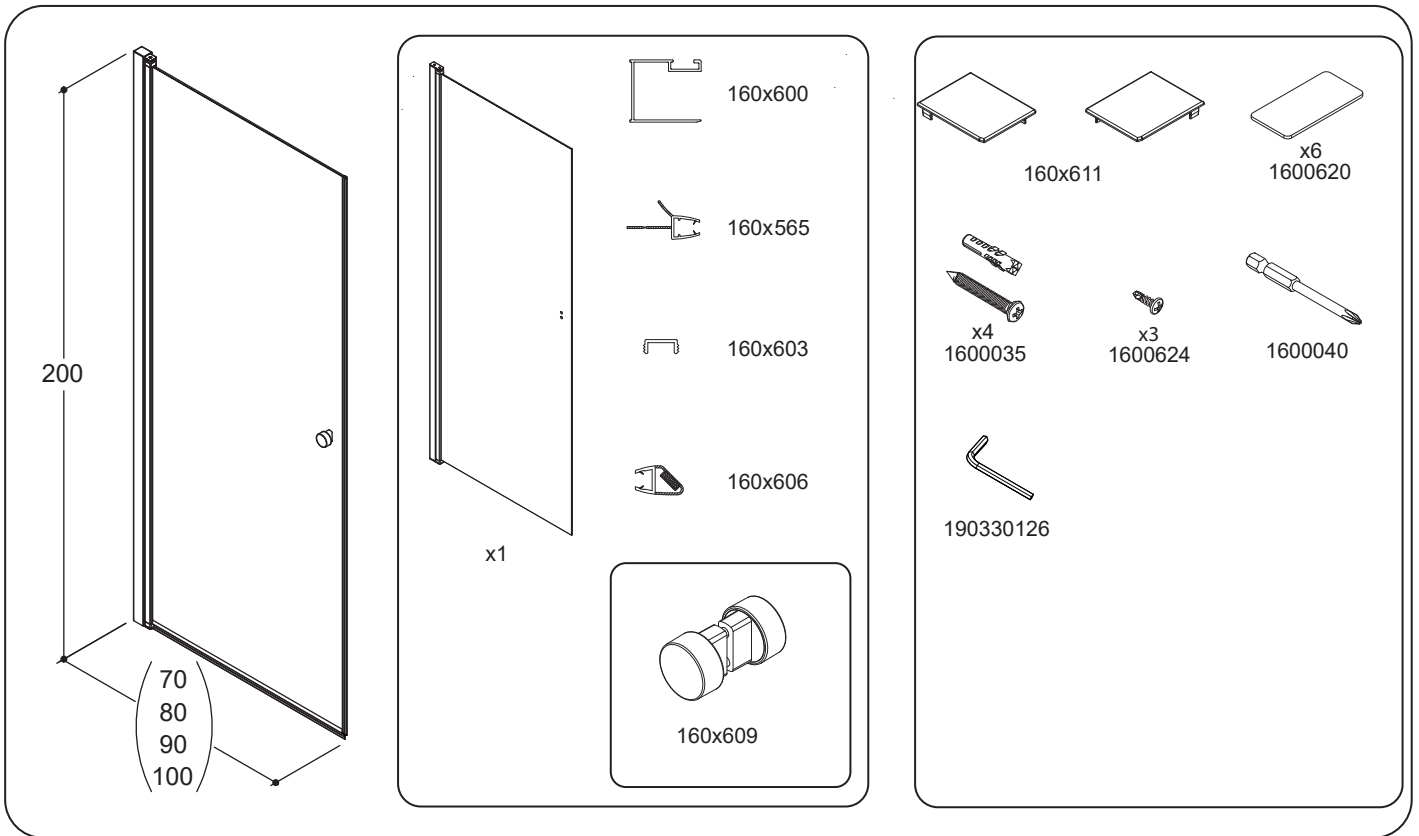
B+A

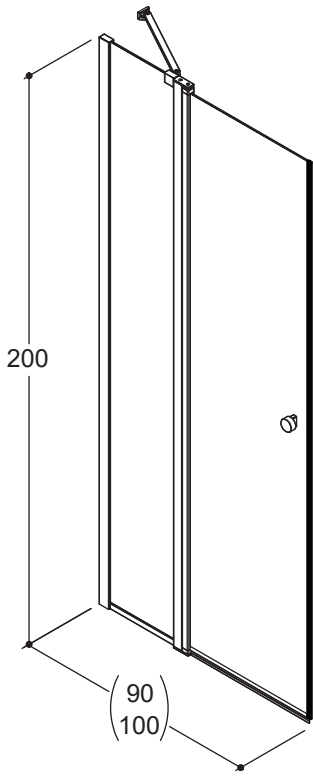


C+B



C+A





x1

1600601

1600604

1600605

1600565

1600606

1600609

x2  
1600610

1600612

x6

x4  
1600035

1600615

1600040

190330122

190330126

x3  
1600624

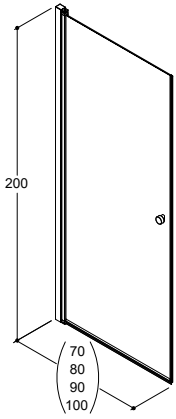
x2

x2

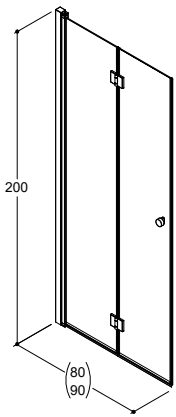
x2

1600502

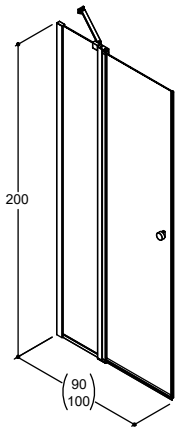
# 1



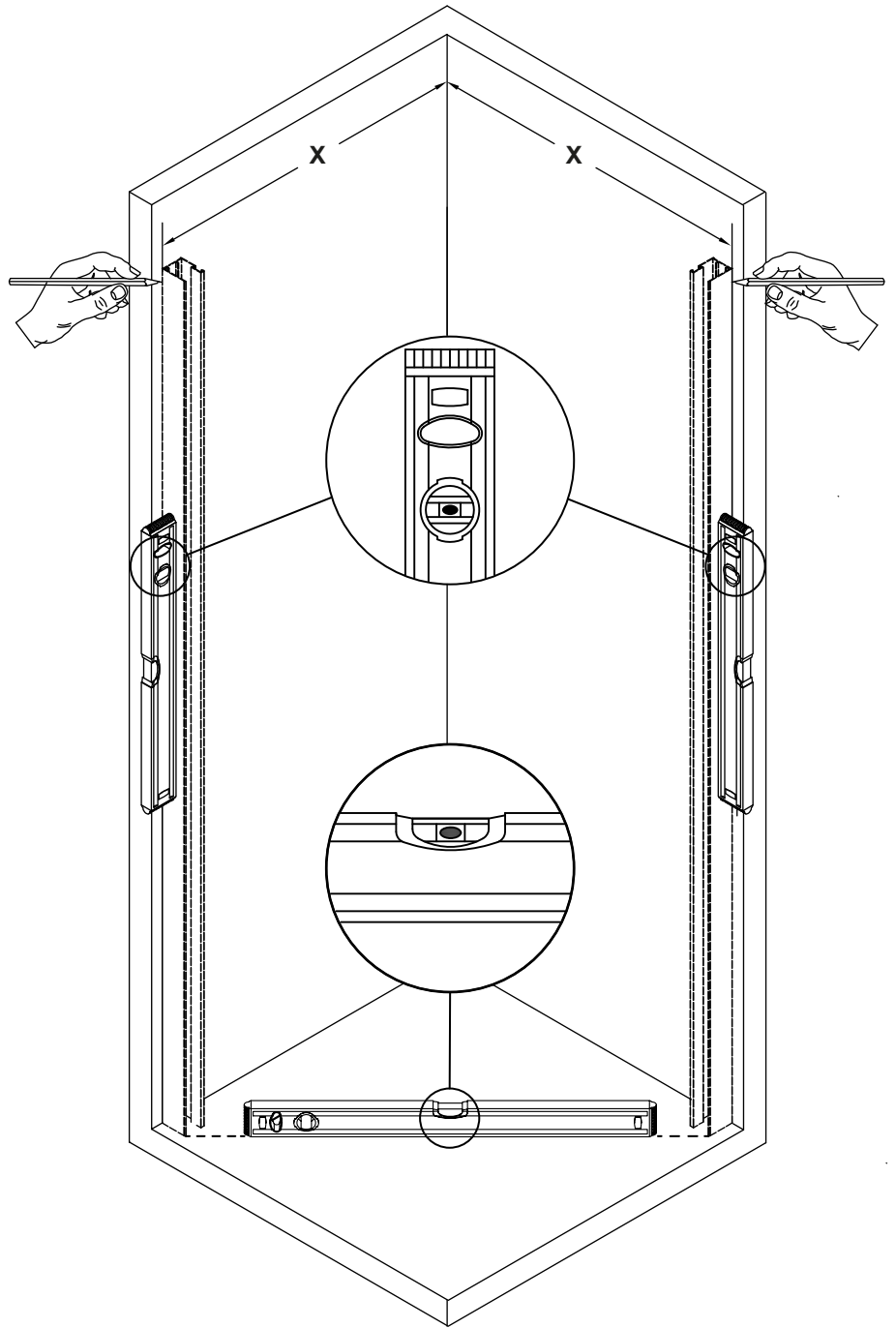
	X
A70	67-69
A80	77-79
A90	87-89
A100	97-99
A71	69-71
A81	79-81
A91	89-91
A101	99-101



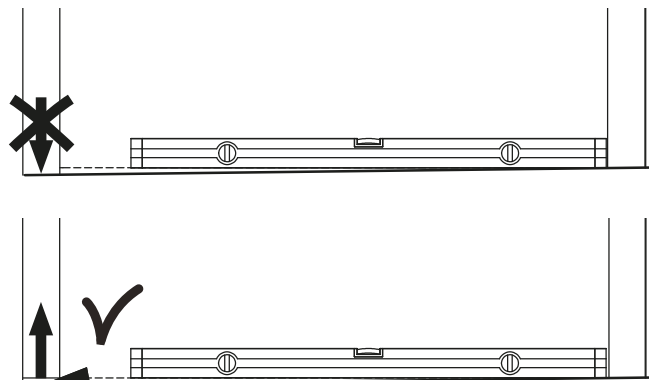
	X
B70	67-69
B80	77-79
B90	87-89
B100	97-99
B71	69-71
B81	79-81
B91	89-91
B101	99-101



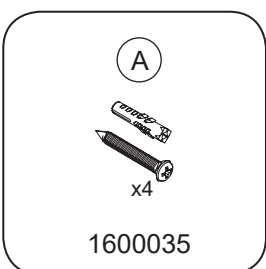
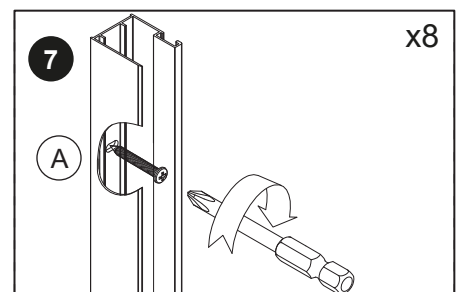
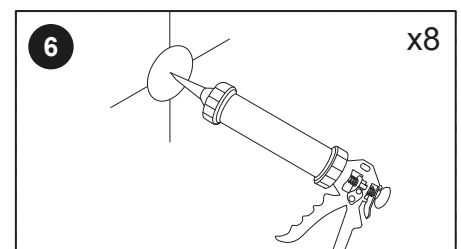
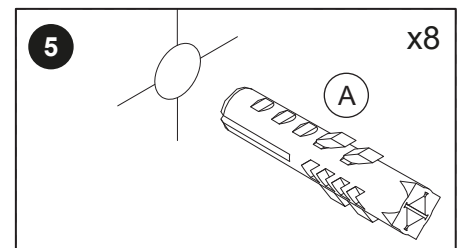
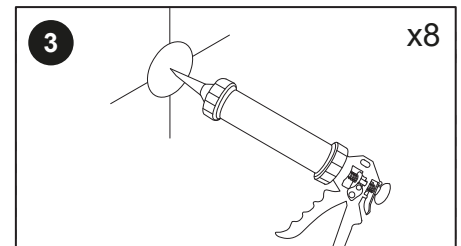
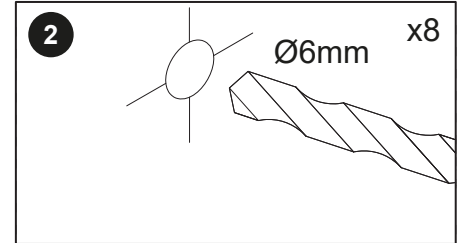
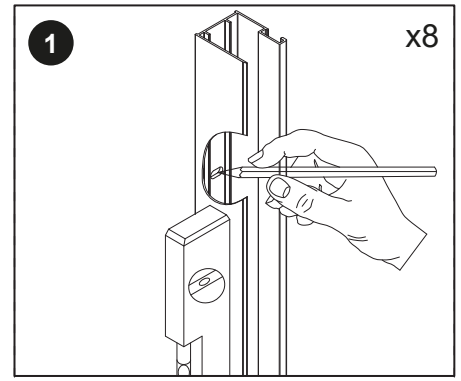
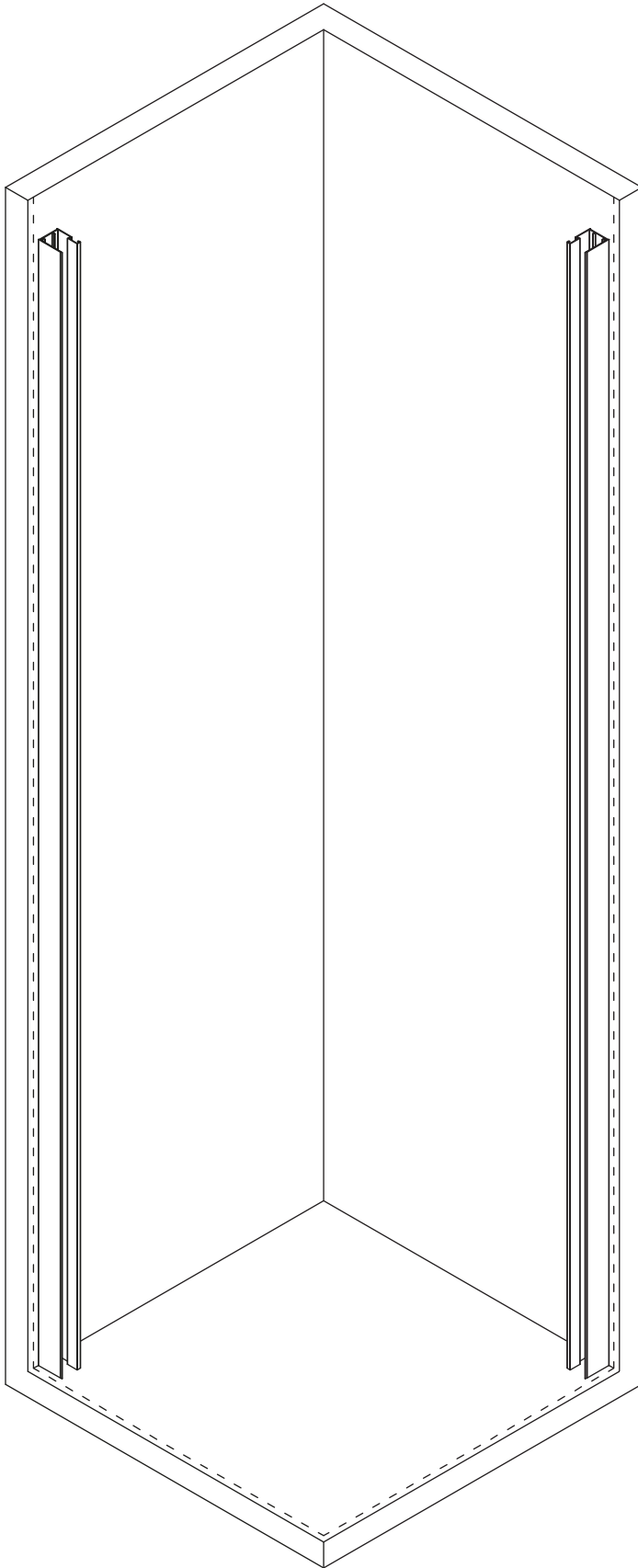
	X
C90	86,6-88,6
C100	96,6-98,6
C91	88,6-90,6
C101	98,6-100,6



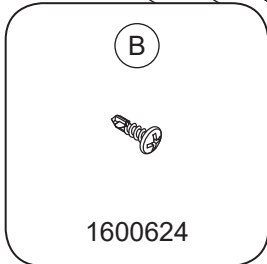
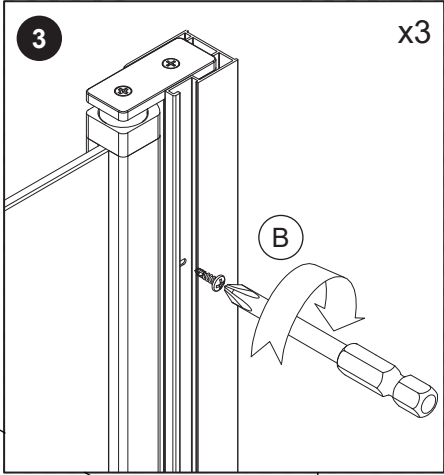
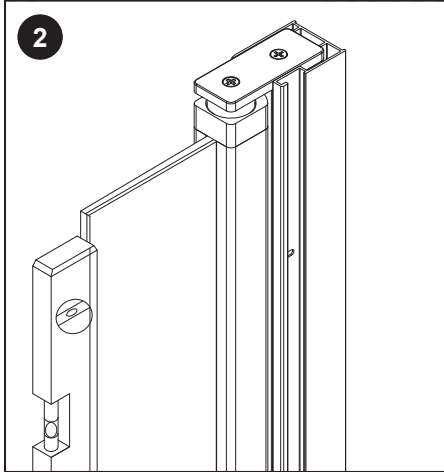
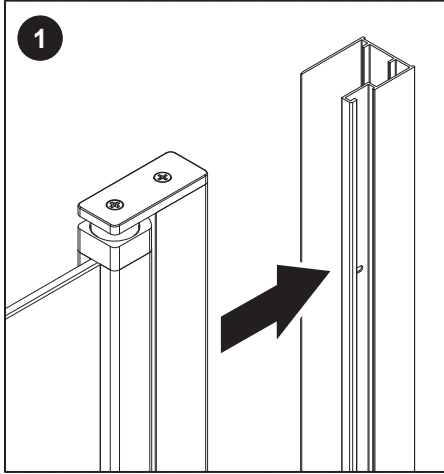
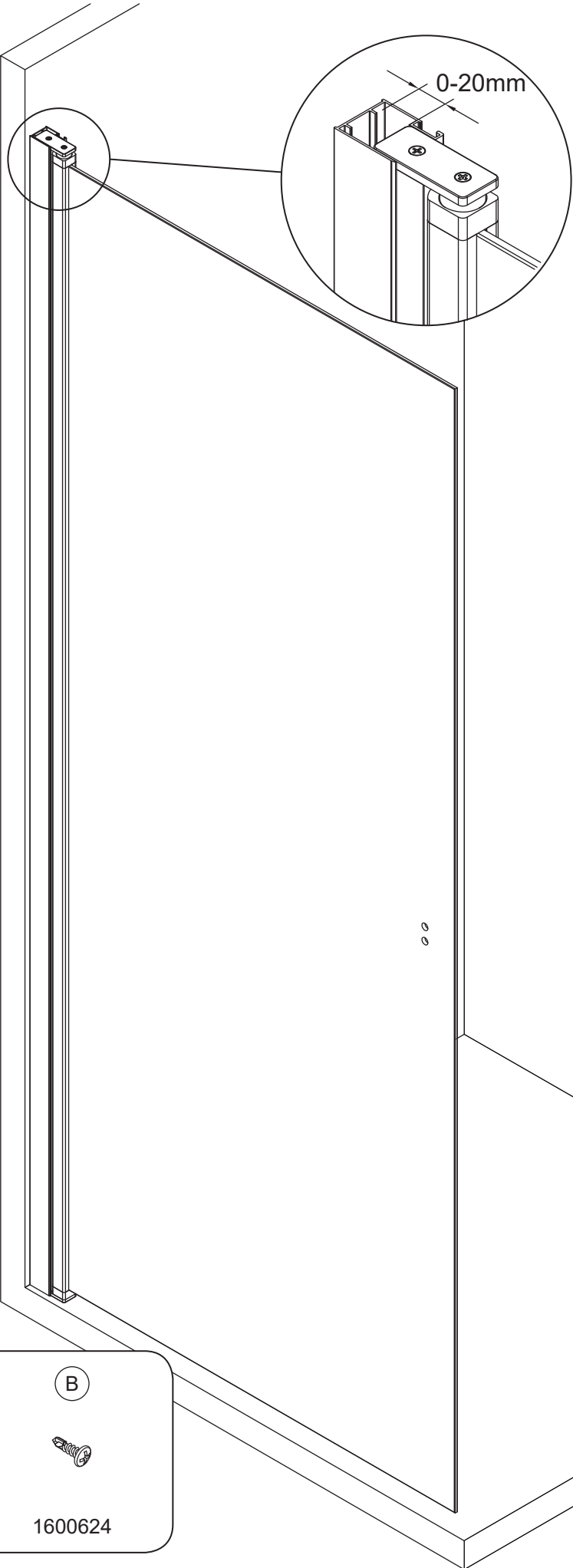
# 2



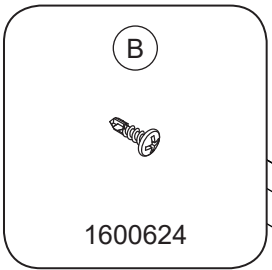
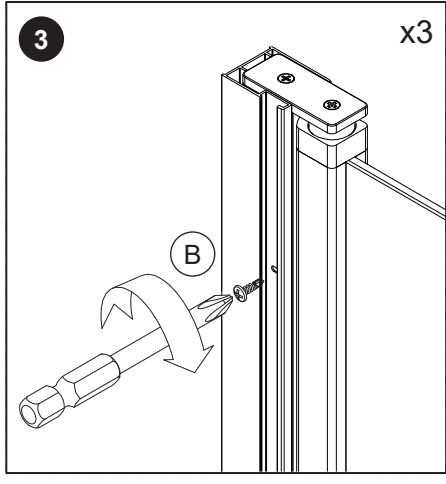
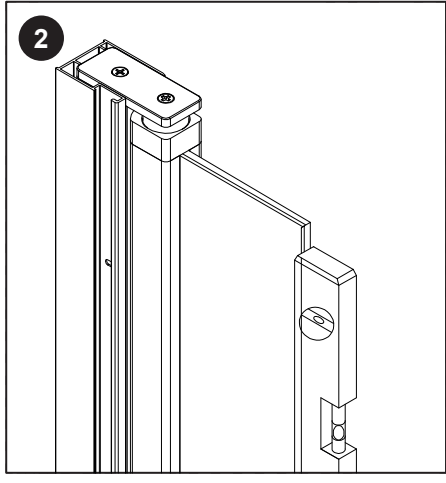
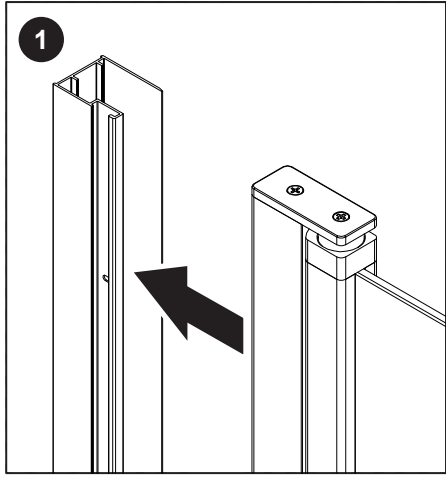
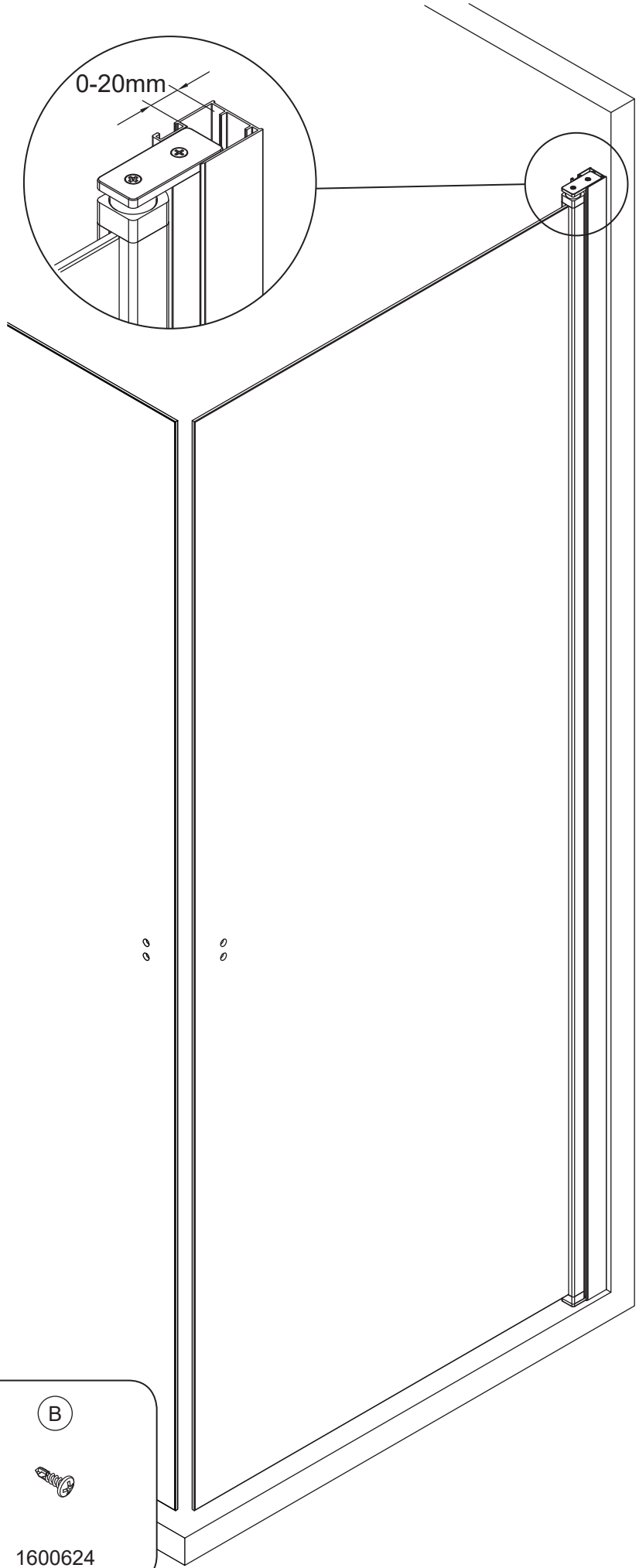
# 3



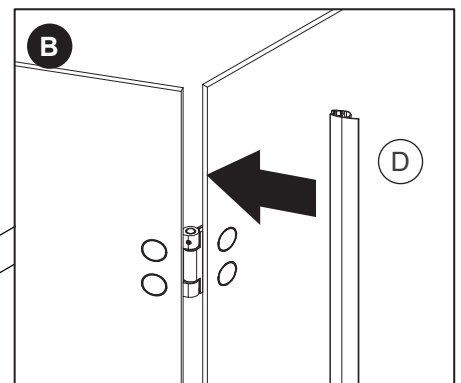
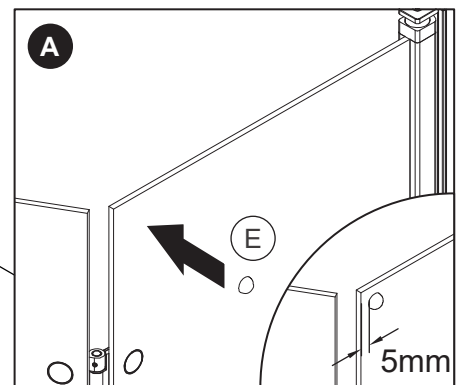
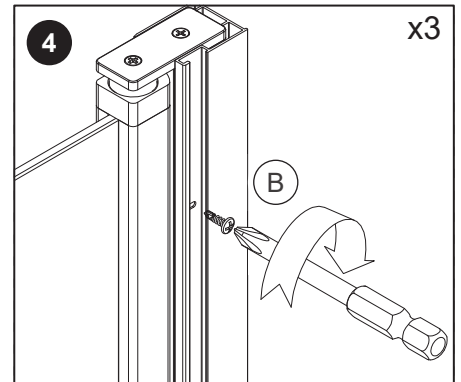
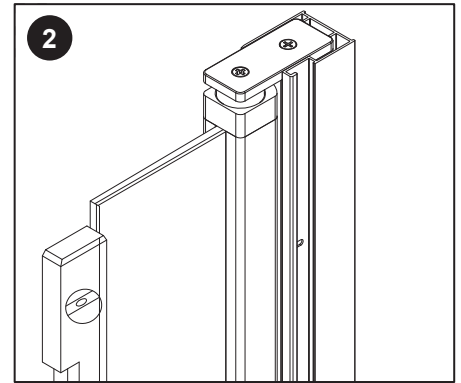
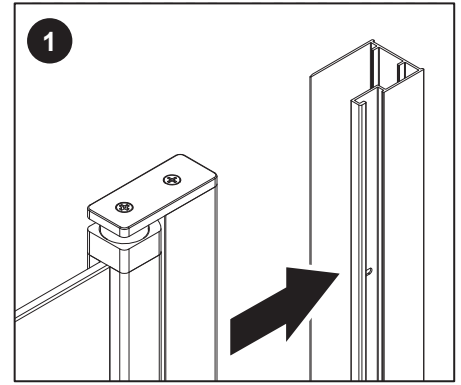
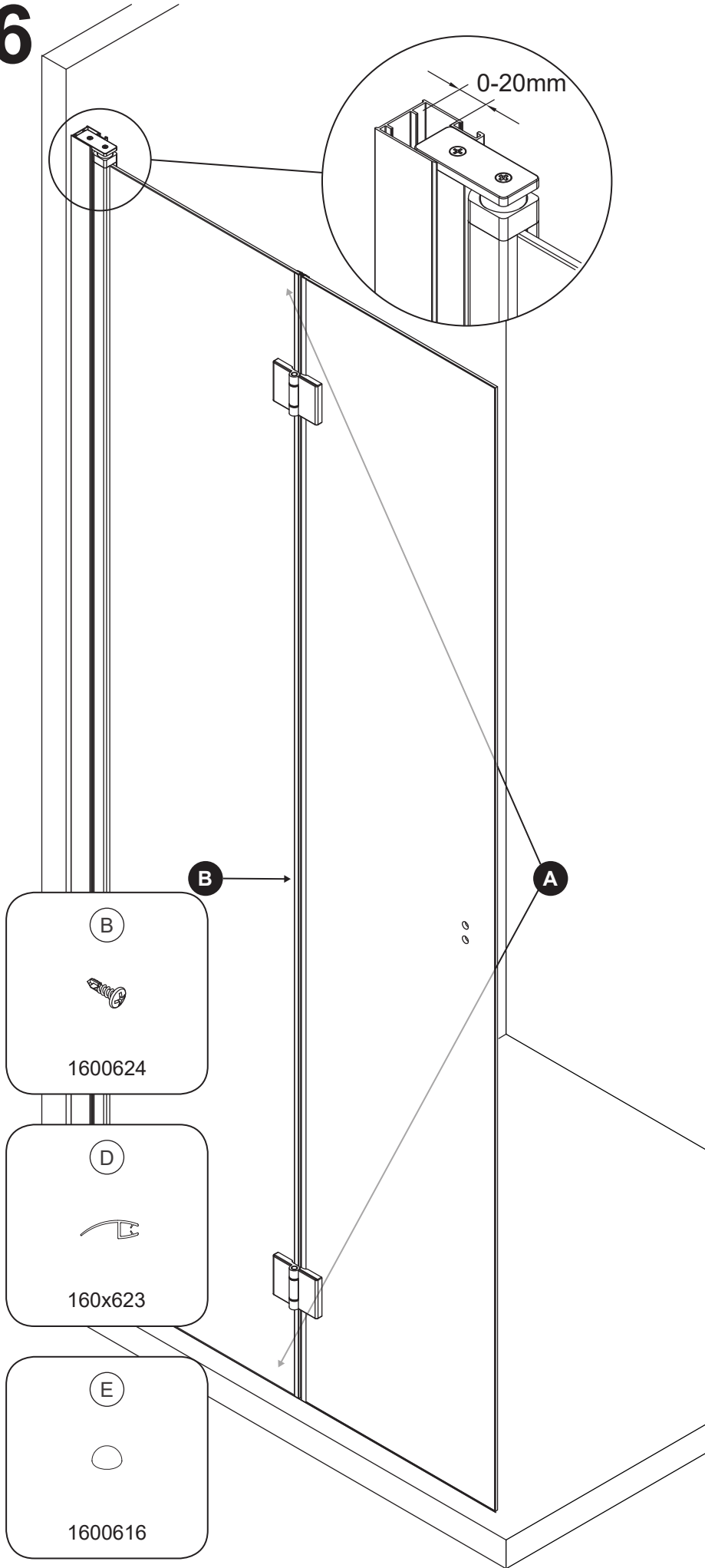
4



# 5

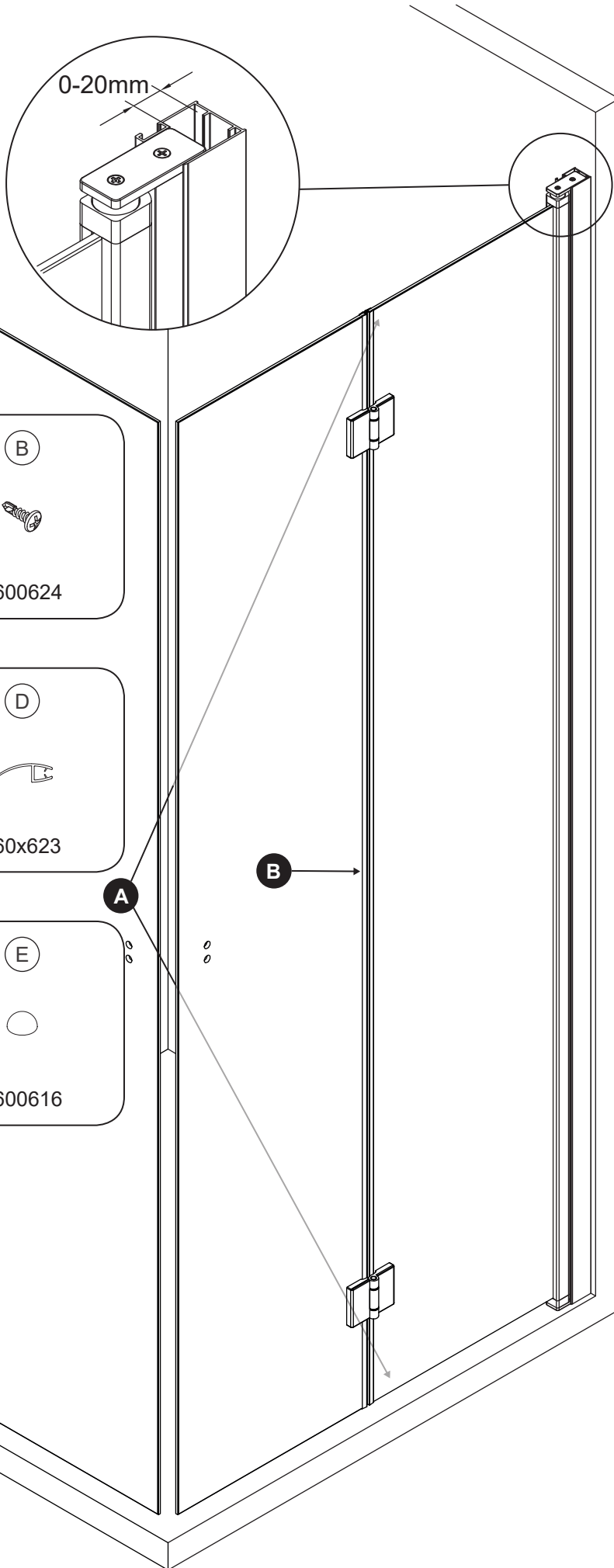


# 6






# 7




(B)




1600624

(D)

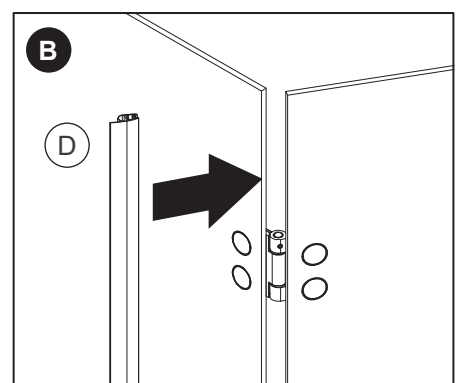
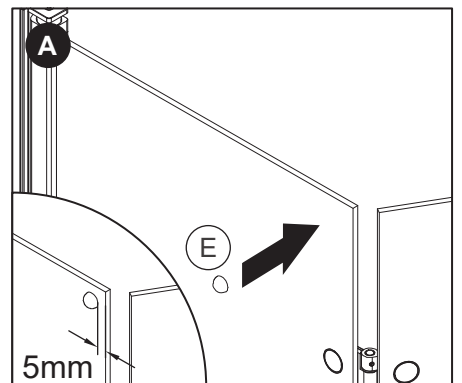
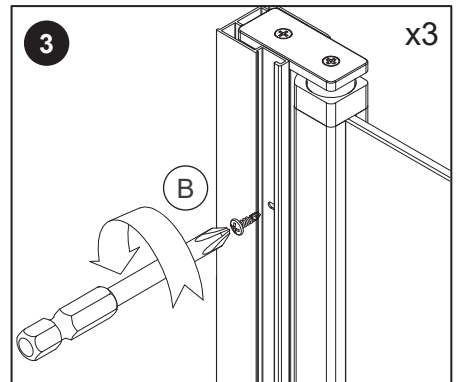
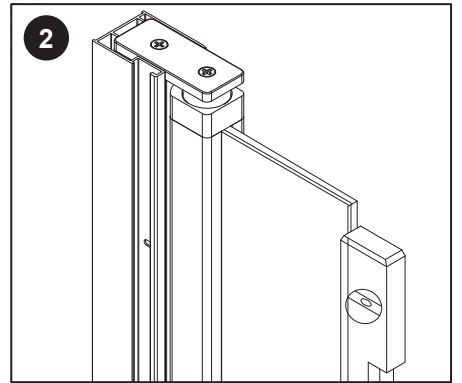
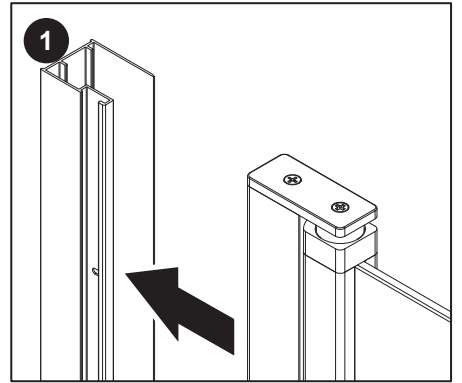


160x623

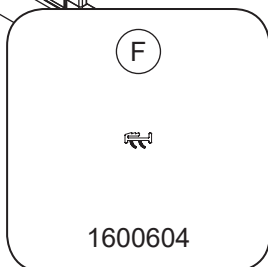
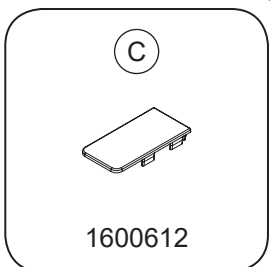
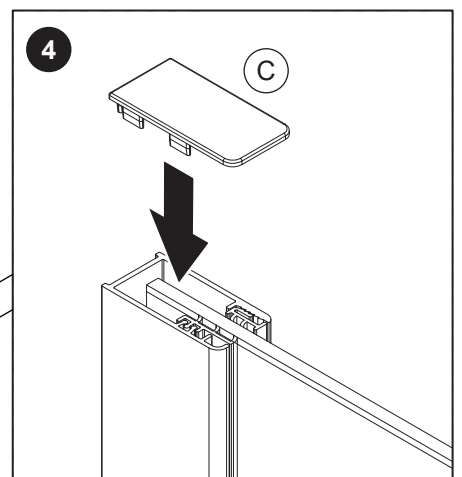
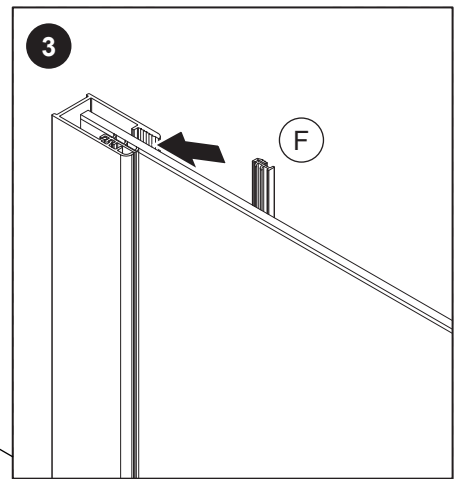
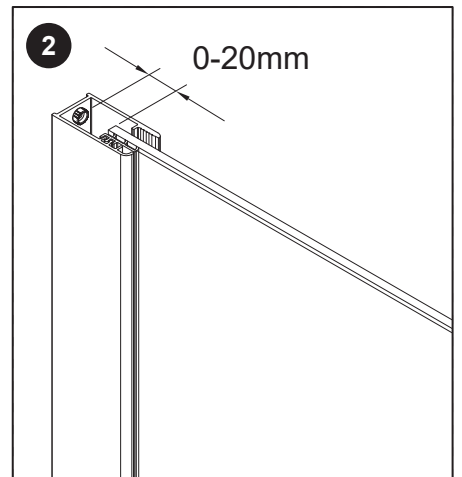
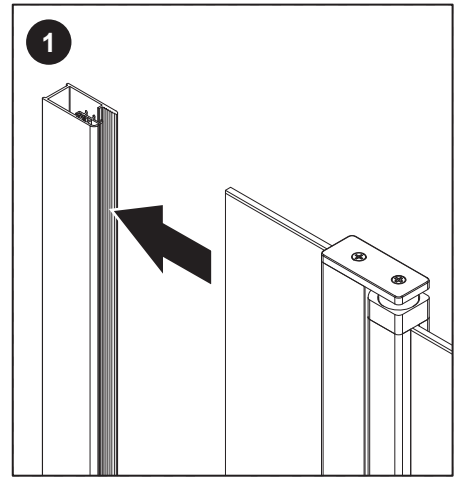
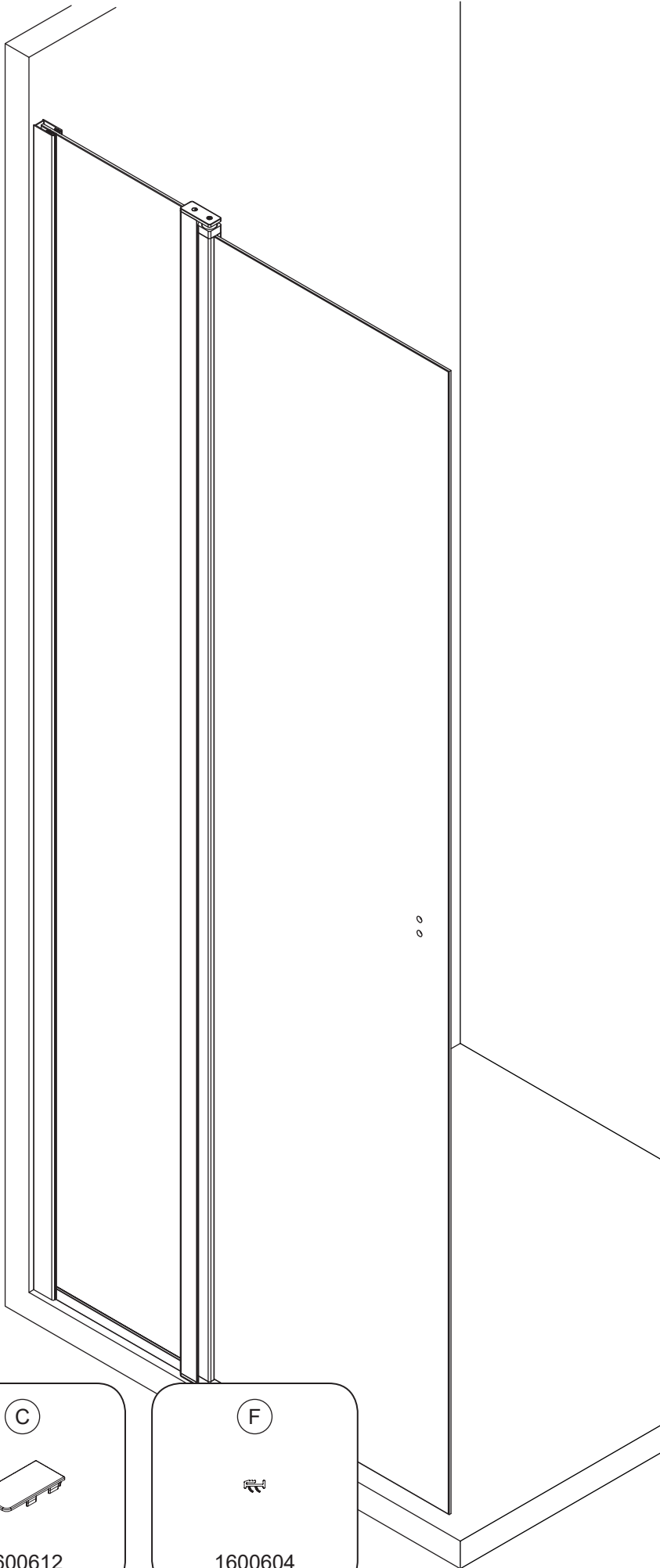
(E)



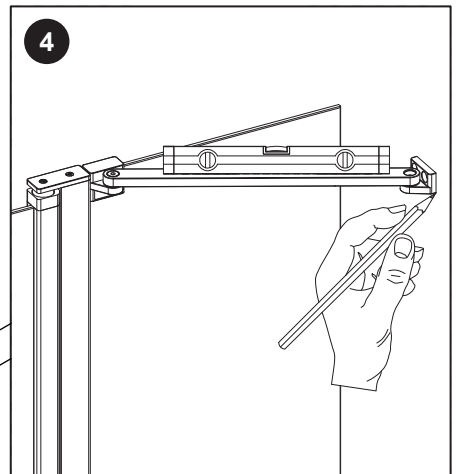
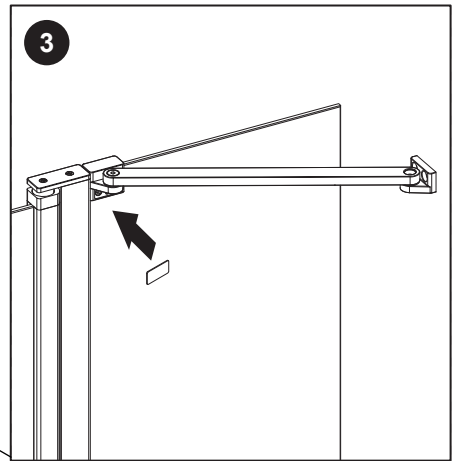
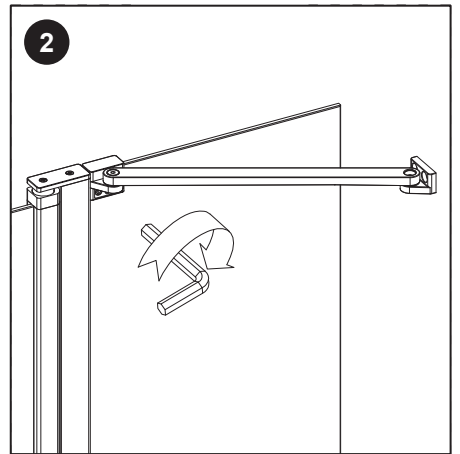
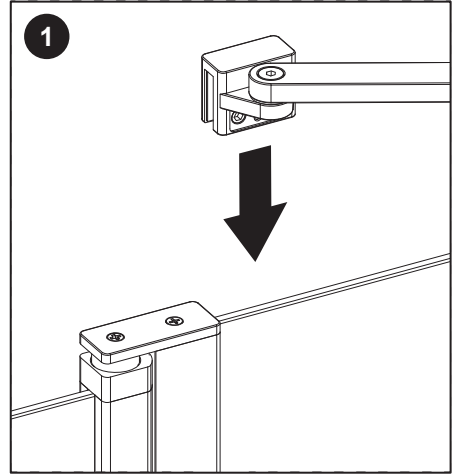
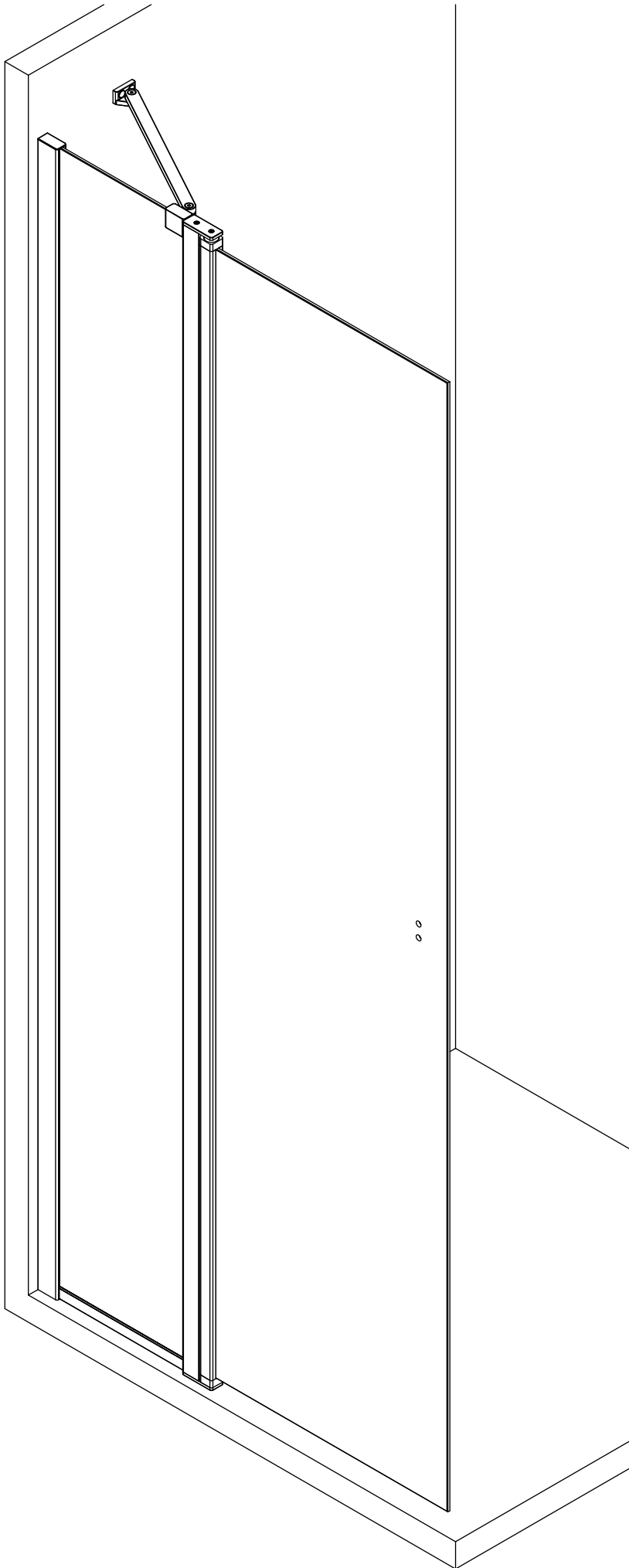
1600616



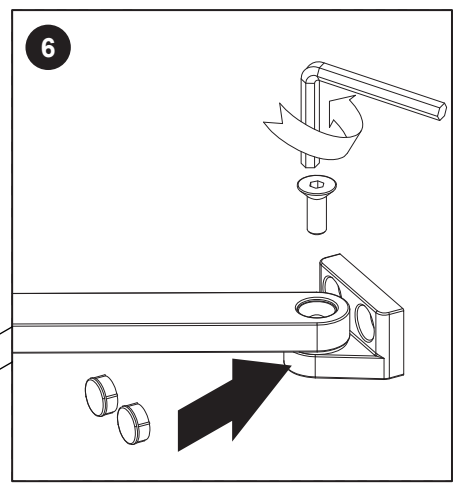
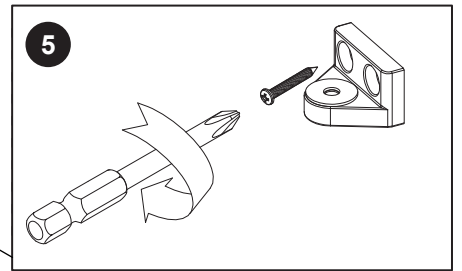
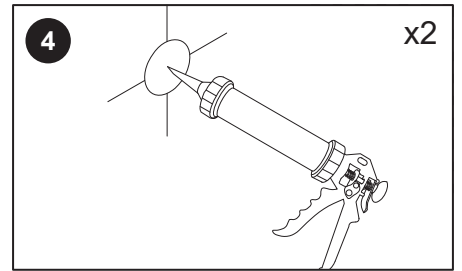
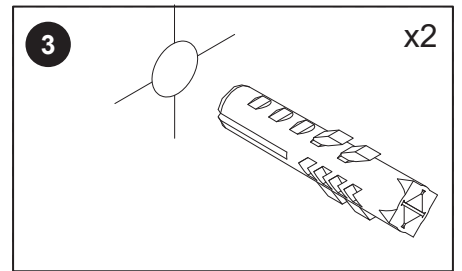
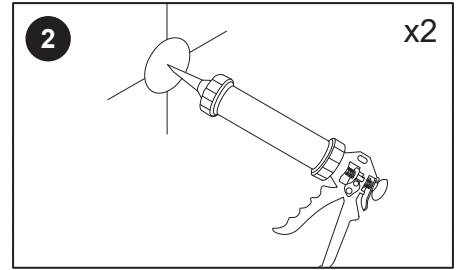
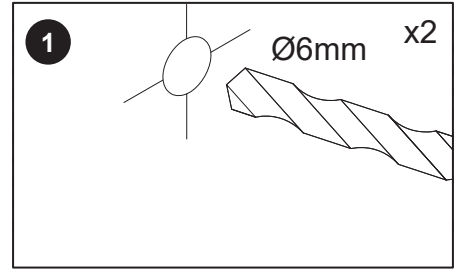
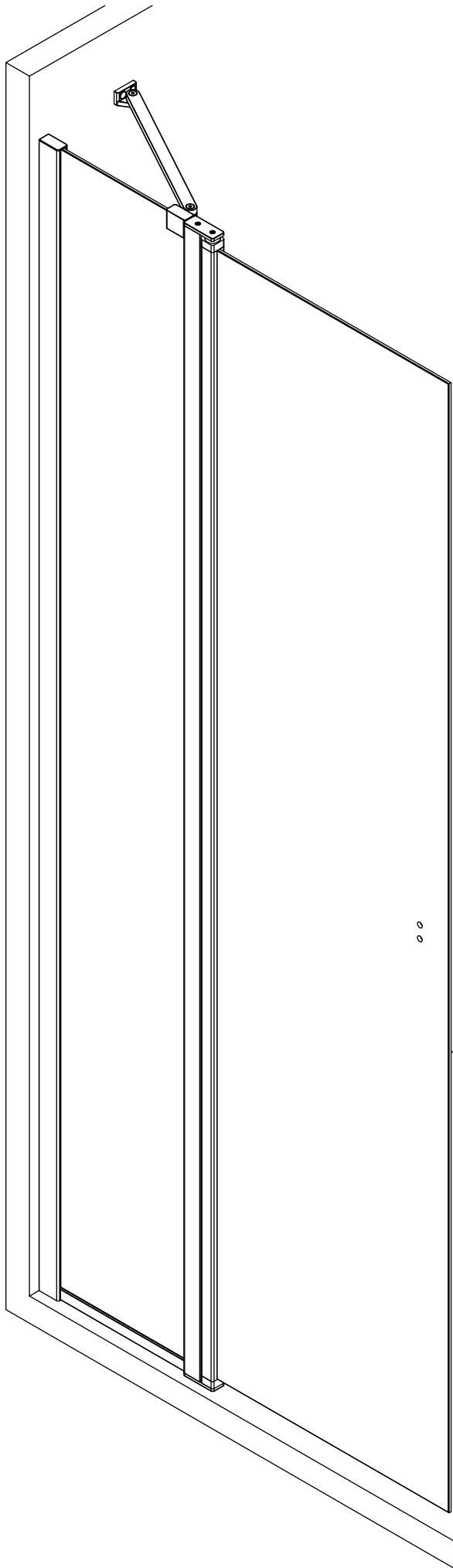
8



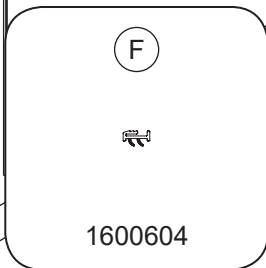
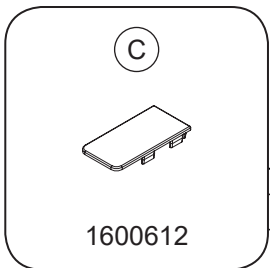
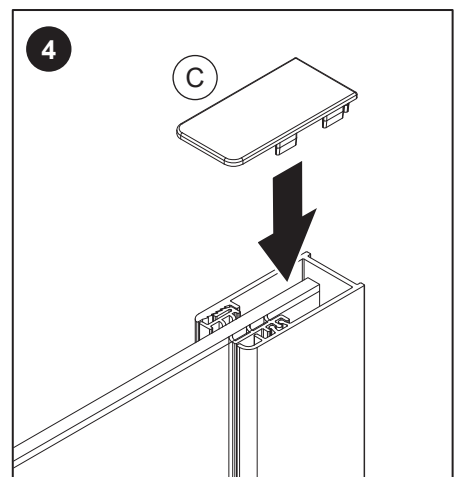
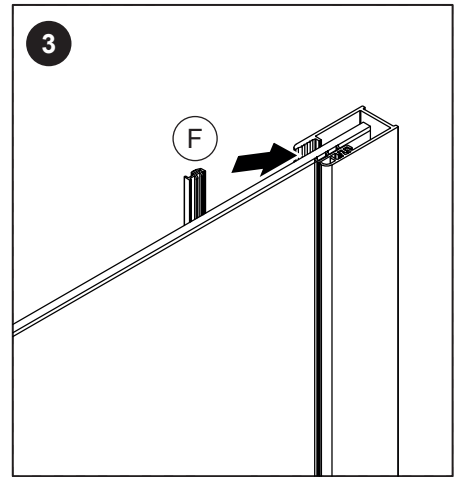
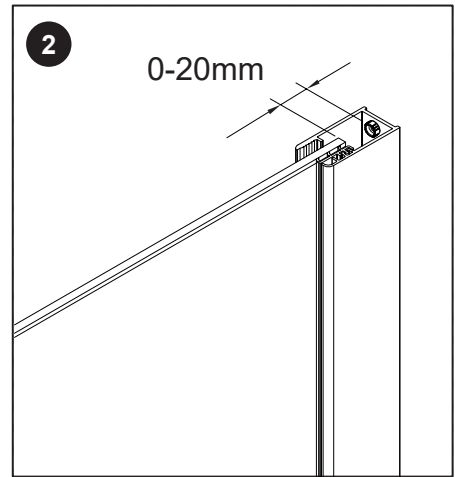
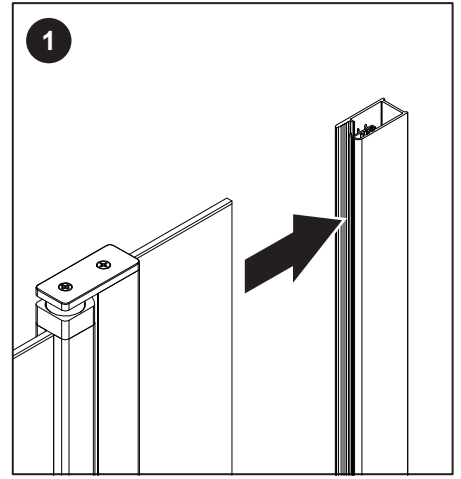
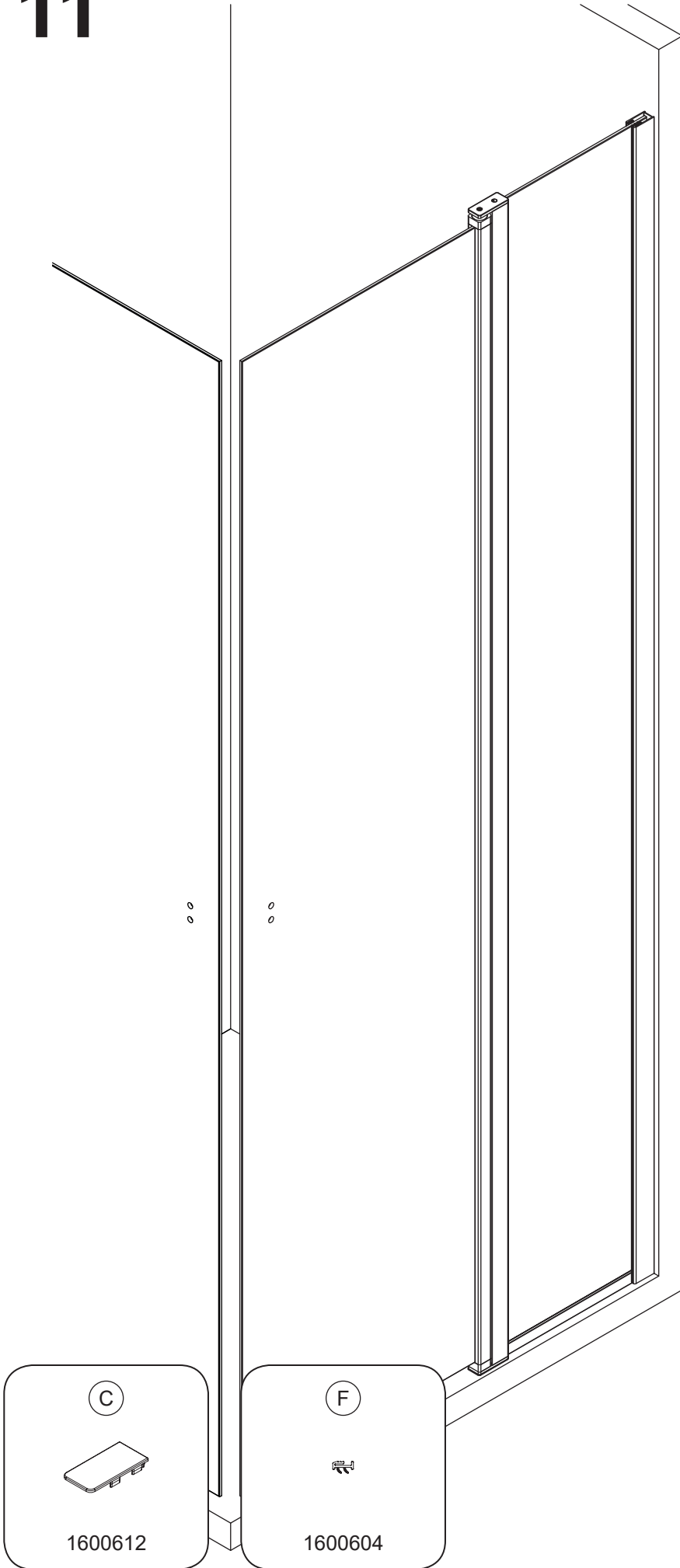
9



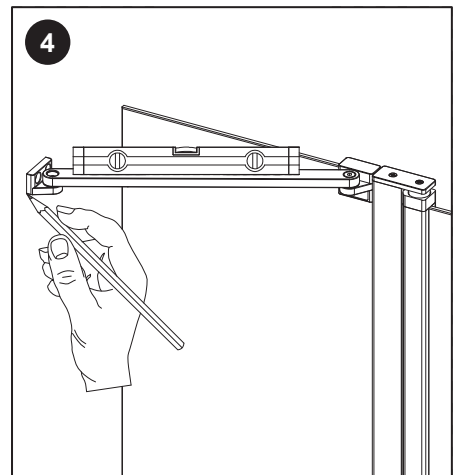
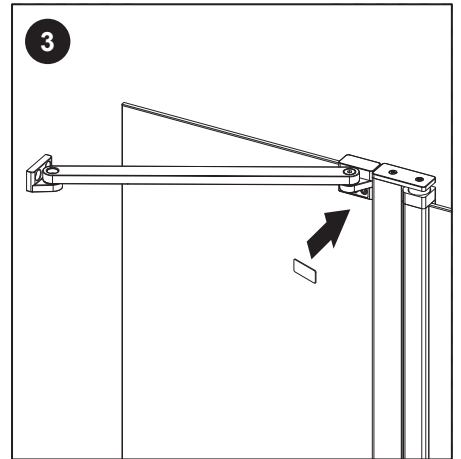
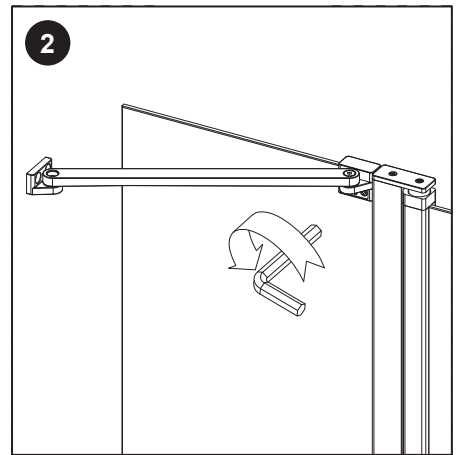
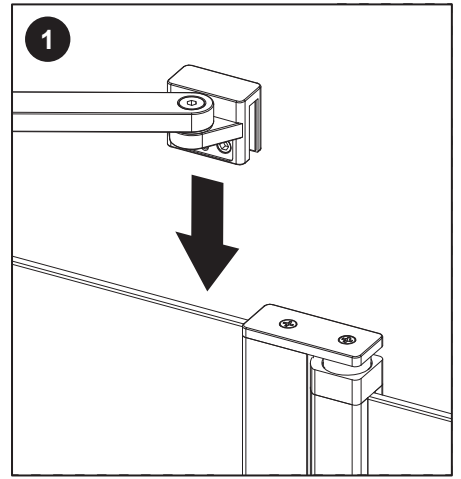
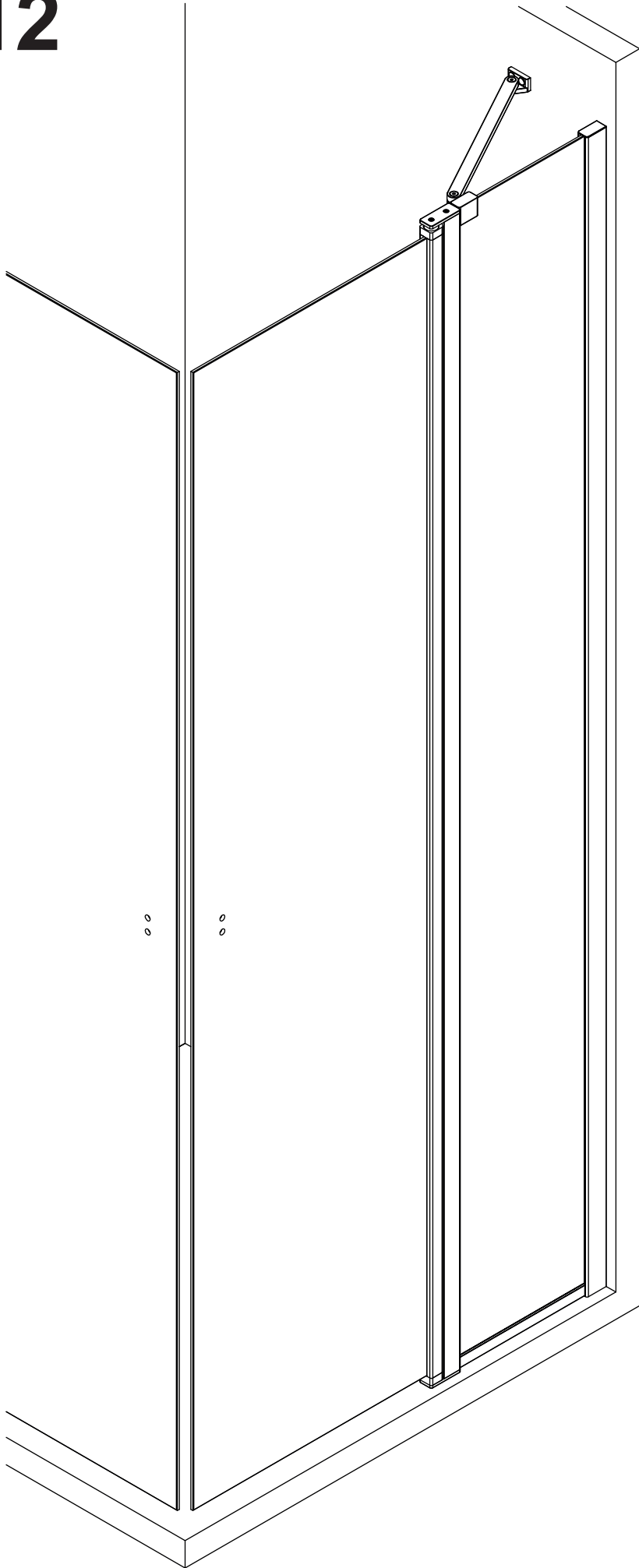
# 10



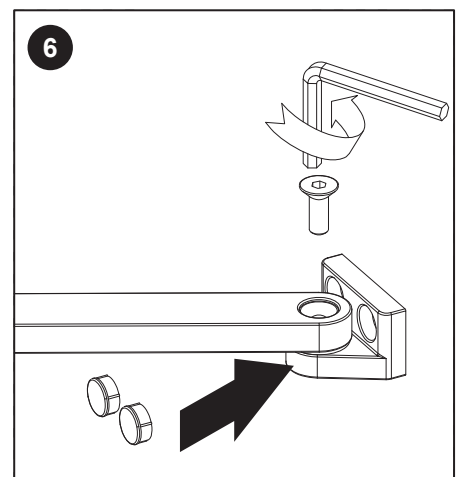
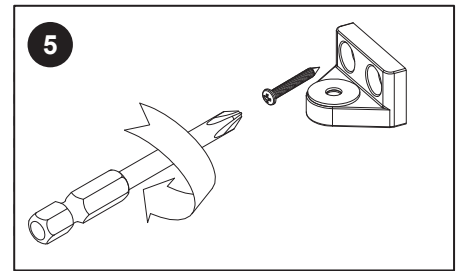
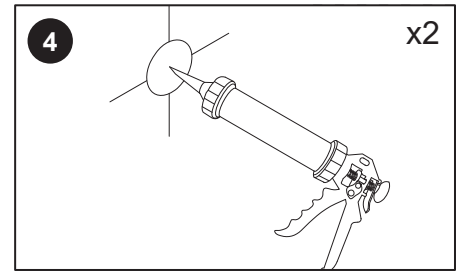
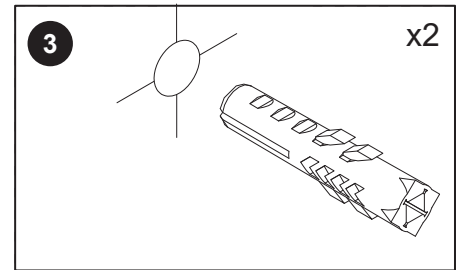
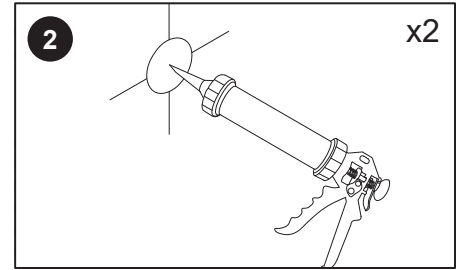
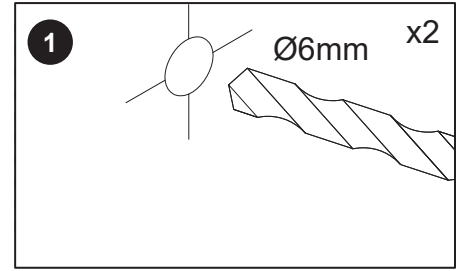
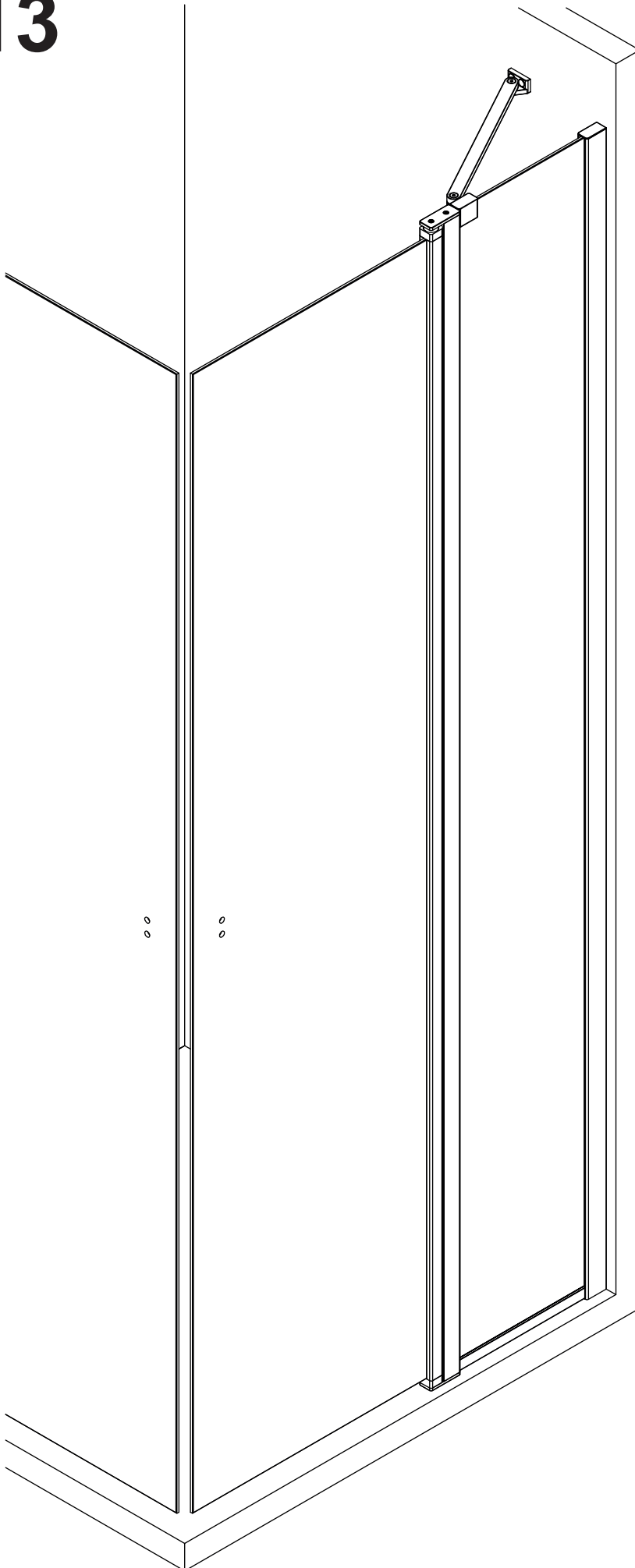
# 11



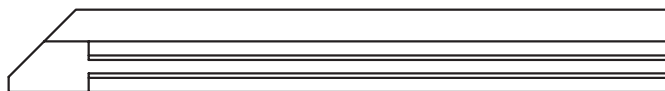
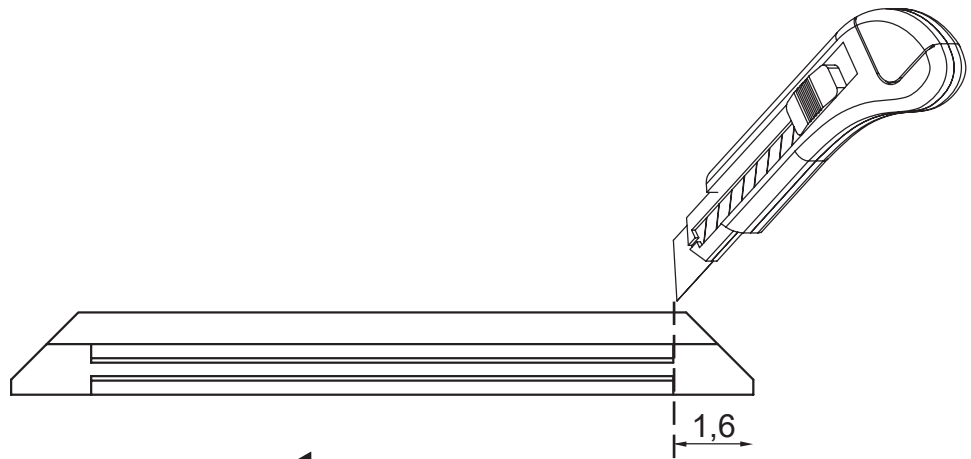
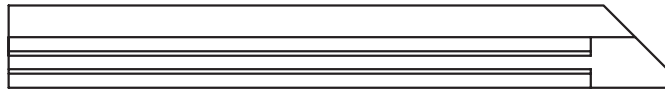
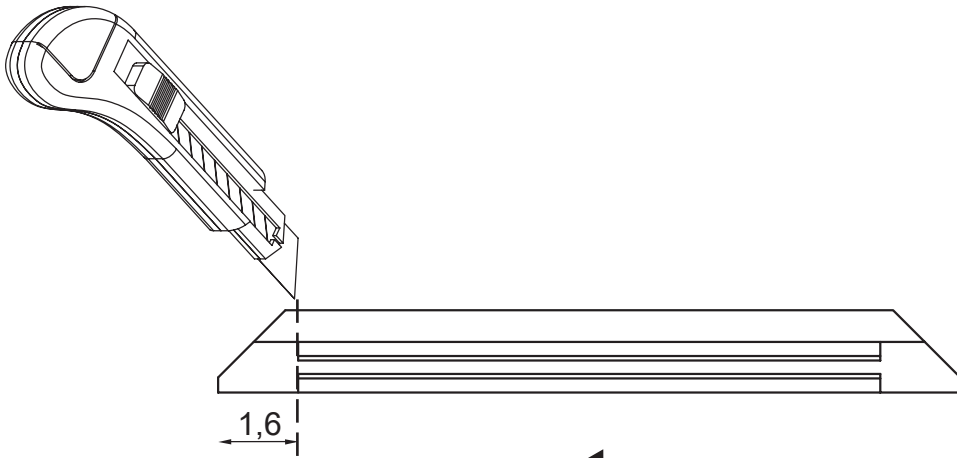
# 12



# 13



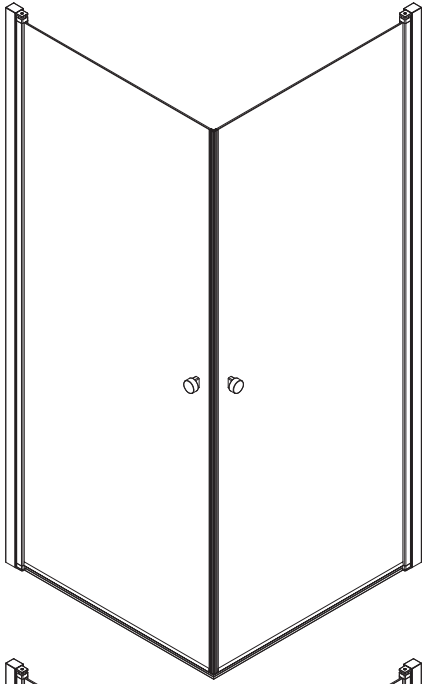
# 14



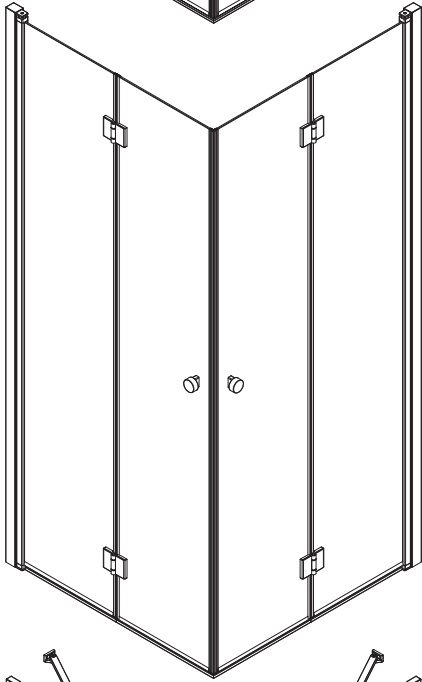


# 15

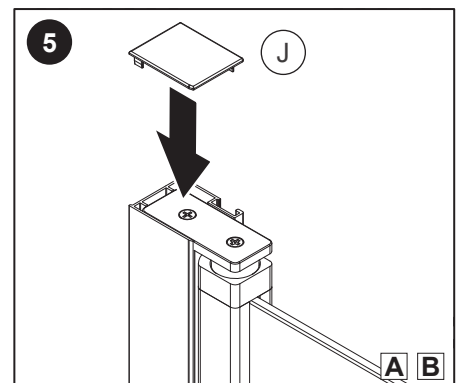
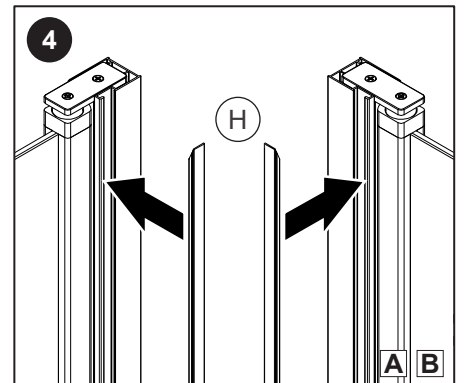
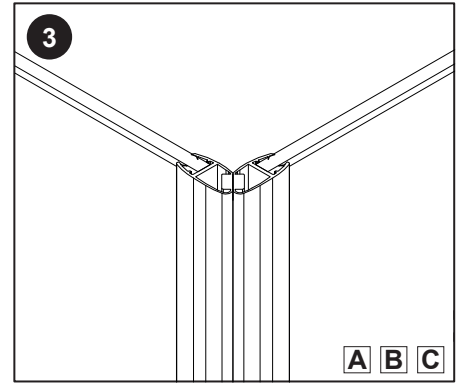
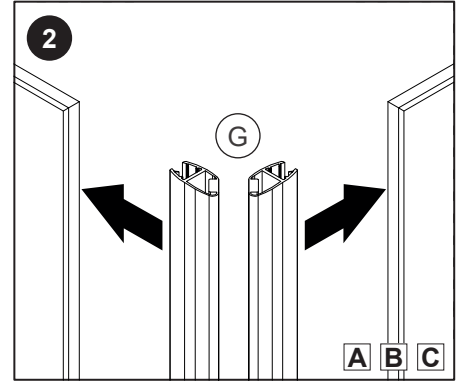
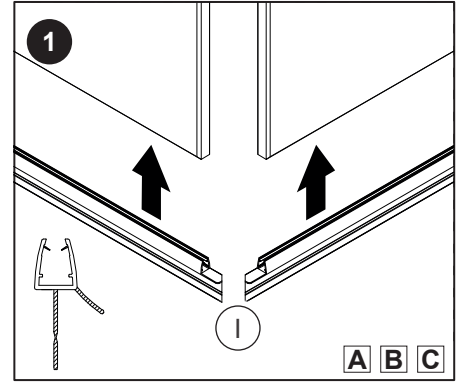
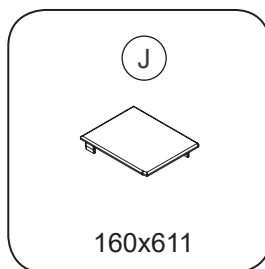
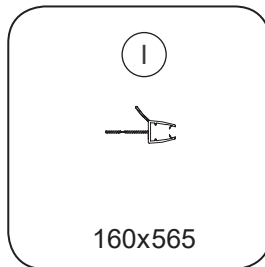
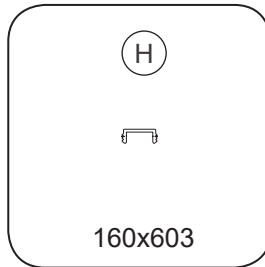
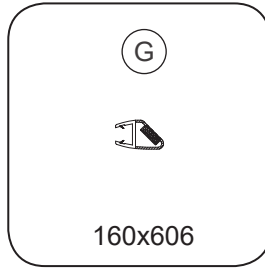
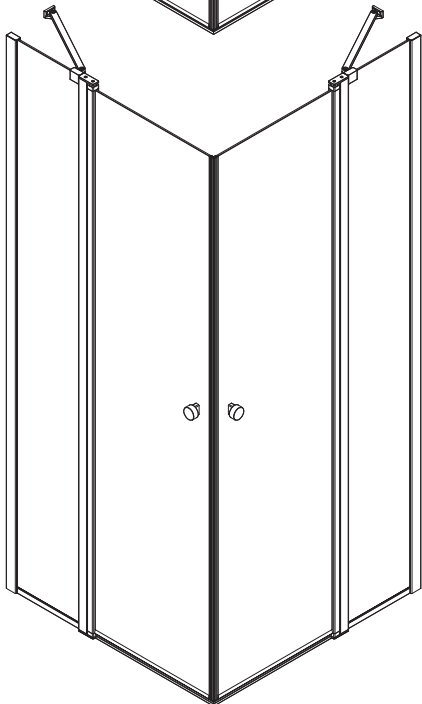
**A**



**B**

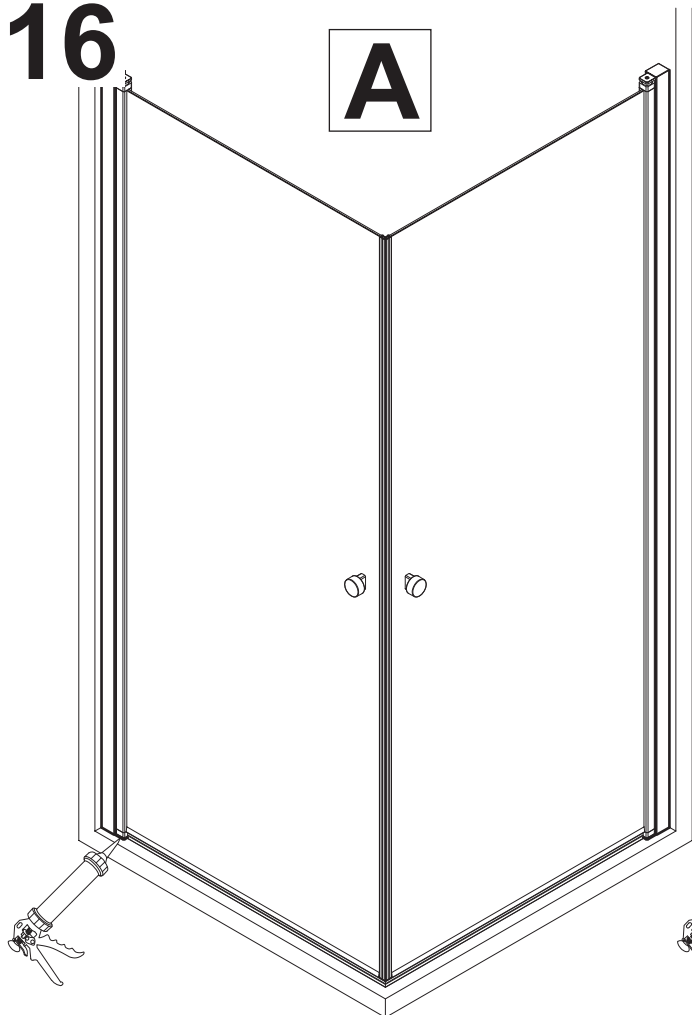


**C**

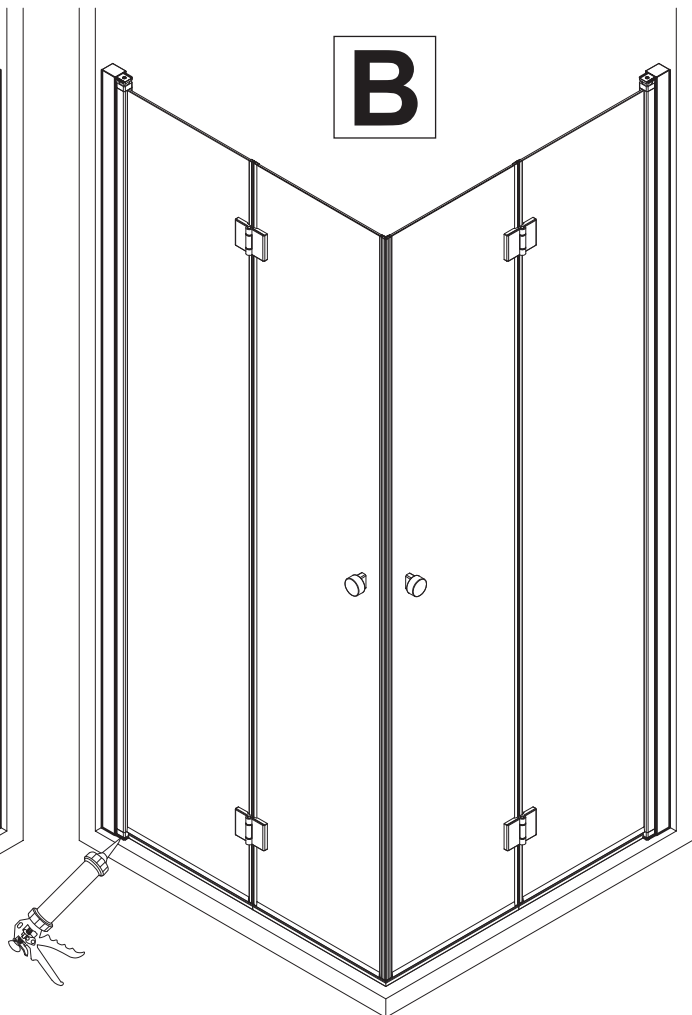


# 16

## A



## B



## C

