

# Single lever tap

QTOO collection

d line

## PRODUCT DATA SHEET

ITEM NUMBER	SURFACE
QT1150M	Satin stainless steel
QT1150P	Polished stainless steel
QT1150xxx	PVD colours

**PRODUCT**  
Single lever tap in marine grade stainless steel

### PICTURE



### TENDER TEXT

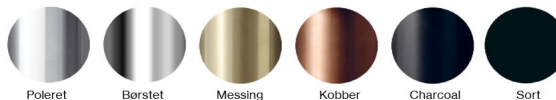
Single lever tap in marine grade stainless steel. Conforms to CSA with min. 500.000 operation cycles securing long life span. Lead free compliant and 10 year full warranty.

### PRODUCT SPECIFICATION

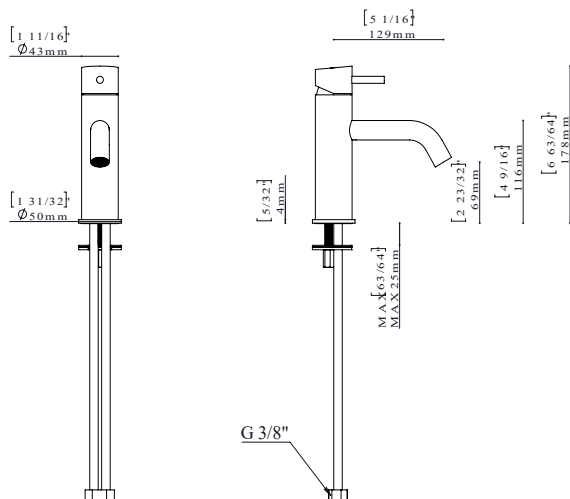
5 1/8" \_130mm projection  
Fixed spout  
Built-in aerator  
Total height 7" \_178mm  
Height to aerator 2 3/4" \_69mm  
2x 3/8" flexible supply lines  
Water flow rate limited to max. 1.3 gpm \_5.0 ltr.  
Marine grade stainless steel AISI316  
Lead free compliant

### PVD colours:

Sain brass (MP3) - Satin copper (MP2) - Satin Charcoal (MP4) - Polished brass (PP3) - Polished copper (PP2) - Polished Charcoal (PP4)



### DRAWING



### PART LIST

### PRODUCT CARE

d line products are produced in the highest quality stainless steel, marine grade, AISI 316. To sustain the unique d line finish appearance please follow the below instructions:

- Wash down the surfaces using soapy water or mild detergent
- Always thoroughly rinse off with clean water
- To complete the cleaning procedure dry/polish the surfaces with a soft dry cloth

Please do not use scouring powder, steel wool, chloride based detergents or other aggressive cleaning products as these may damage the surface.

If spots or corrosion appear on the surface it is not due to the stainless steel quality, but to impurities in the environment, aggressive conditions or improper or insufficient cleaning.

Link to our maintenance guide: <https://dline.com/maintenance/>